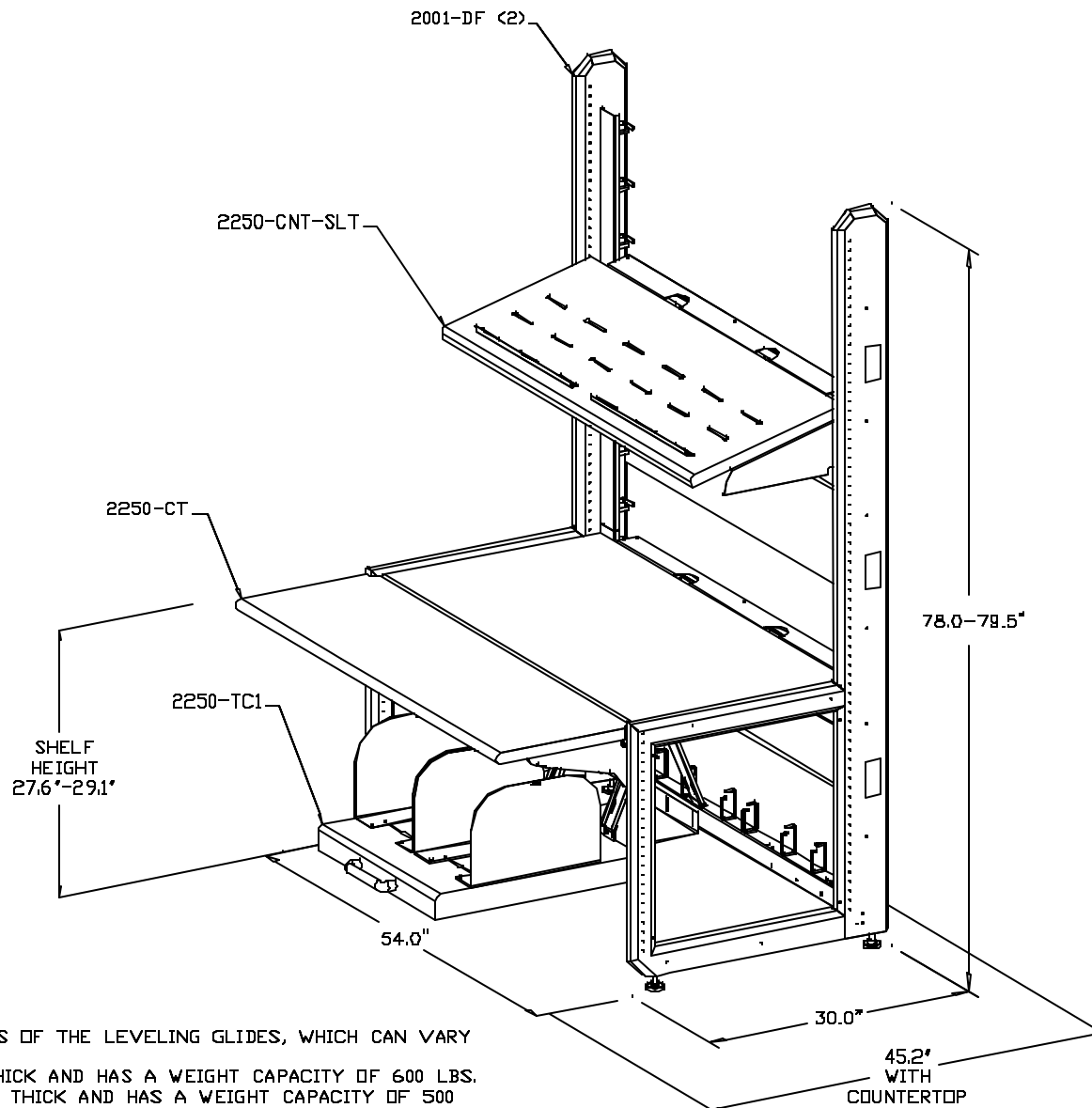



FOR REFERENCE ONLY

REV	DESCRIPTION
-----	-------------



- NOTE:**
- 1) THE HEIGHTS SHOWN MAY VARY DEPENDING ON THE HEIGHTS OF THE LEVELING GLIDES, WHICH CAN VARY IN HEIGHT FROM 1" TO 2.5".
 - 2) THE 2250 SHELF IS 49.75" WIDE x 25.50" DEEP x 1.25" THICK AND HAS A WEIGHT CAPACITY OF 600 LBS.
 - 3) THE 2250-CNT-SLT IS 49.875" WIDE x 18.00" DEEP x 1.25" THICK AND HAS A WEIGHT CAPACITY OF 500 LBS.
 - 4) THE 2250-CT IS 52.00" WIDE x 16.00" DEEP x 1.25" THICK AND HAS A WEIGHT CAPACITY OF 300 LBS.
 - 5) EACH 2250-TC1 SHELF IS 23.50" WIDE x 23.478" DEEP x 3.00" THICK AND HAS A WEIGHT CAPACITY OF 775 LBS./SHELF.
 - 6) THE HEIGHT OF THE SECTION WITH OPTIONAL CASTERS IS 80.8".

This document contains Great Lakes Case & Cabinet/ Proprietary information and may not be reproduced, disclosed, or utilized in whole or in part without its prior written authorization. Unpublished - All rights reserved under copyright.	DIMENSIONS IN INCHES TOLERANCES ON DIMENSIONS UNLESS OTHERWISE SPECIFIED DECIMAL .00X ± .010 .00X ± .015 .X ± .020 ANGULAR ± 1/2	DO NOT SCALE	DESIGN CHG#	DRAWN BY: MIKE	REV. DATE: 6-23-00	 Great Lakes Case & Cabinet Co. P.O. Box 551 / Edinboro, PA 16412 PHONE: 814-724-7425 FAX: 814-724-3207 EMAIL: sales@glcas.com	
	FILE LOCATION: F:\1-DWG\1-ARCH\3D\1-ARCH\3D\CONFES\003\WEB\003\3K-1	QTY PER UNIT:	SCALE: N.T.S.	DATE: 5-15-00	CUSTOMER:		PART DESCRIPTION: ADVANTAGE 2DOOR- OPEN ARCHITECTURE WORK STATION
	MATERIAL:	SHEET: 1 OF 6	REV. 1	DRAWING NO. GL2050-C03EX			