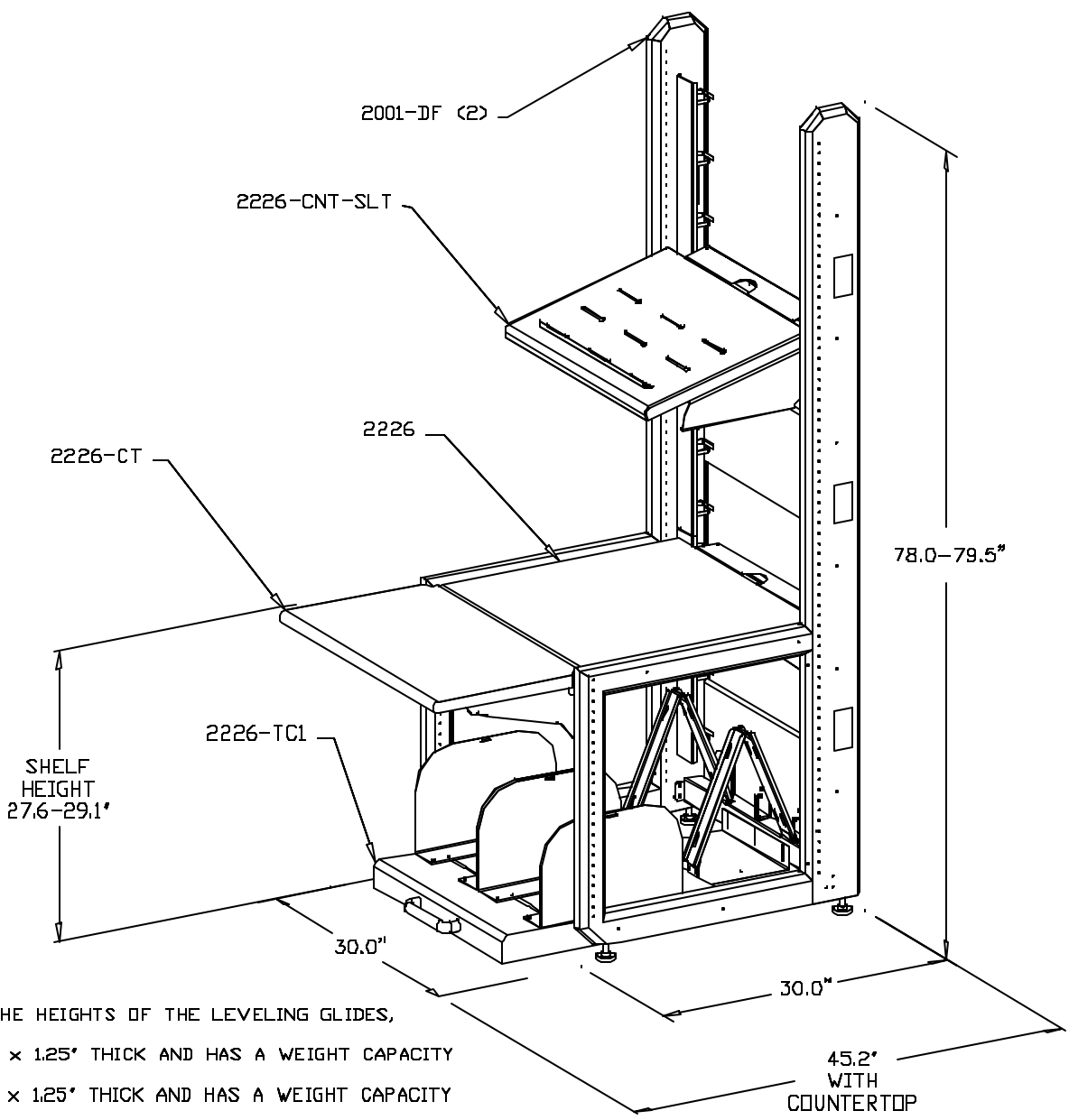


FOR REFERENCE ONLY

REV	DESCRIPTION
-----	-------------



- NOTE:**
- 1) THE HEIGHTS SHOWN MAY VARY DEPENDING ON THE HEIGHTS OF THE LEVELING GLIDES, WHICH CAN VARY IN HEIGHT FROM 1" TO 2.5".
 - 2) THE 2226 SHELF IS 25.75" WIDE x 25.50" DEEP x 1.25" THICK AND HAS A WEIGHT CAPACITY OF 600 LBS.
 - 3) THE 2226-CNT-SLT 25.875" WIDE x 18.00" DEEP x 1.25" THICK AND HAS A WEIGHT CAPACITY OF 600 LBS.
 - 4) THE 2226-CT IS 28.00" WIDE x 16.00" DEEP x 1.25" THICK AND HAS A WEIGHT CAPACITY OF 400 LBS.
 - 5) THE HEIGHT OF THE SECTION WITH OPTIONAL CASTERS IS 80.8".

This document contains Great Lakes Case & Cabinet/ Proprietary information and may not be reproduced, disclosed, or utilized in whole or in part without its prior written authorization. Unpublished - All rights reserved under copyright.	DIMENSIONS IN INCHES DO NOT SCALE TOLERANCES ON DIMENSIONS UNLESS OTHERWISE SPECIFIED DECIMAL .XXX ± .010 .XX ± .015 .X ± .020 ANGULAR ± 1/2°	DESIGN CHG# QTY PER UNIT: SCALE: N.T.S. MATERIAL:	DRAWN BY: MIKE ISSUE DATE: 5-9-00 CUSTOMER: SHEET: 1 OF 6	REV. DATE: 6-22-00 PART DESCRIPTION: ADVANTAGE 2DOOR-OPEN ARCHITECTURE WORK STATION		Great Lakes Case & Cabinet Co. P.O. Box 551 / Edinboro, PA 16412 PHONE: 814-724-7400 FAX: 814-724-3807 EMAIL: glcase@glcase.com
					FILE LOCATION: F:\1-DWG\1-ARCH\3D\10 CONF\2003\WEB\2003\3K-1	REV. 1 DRAWING NO. GL2026-C03EX