

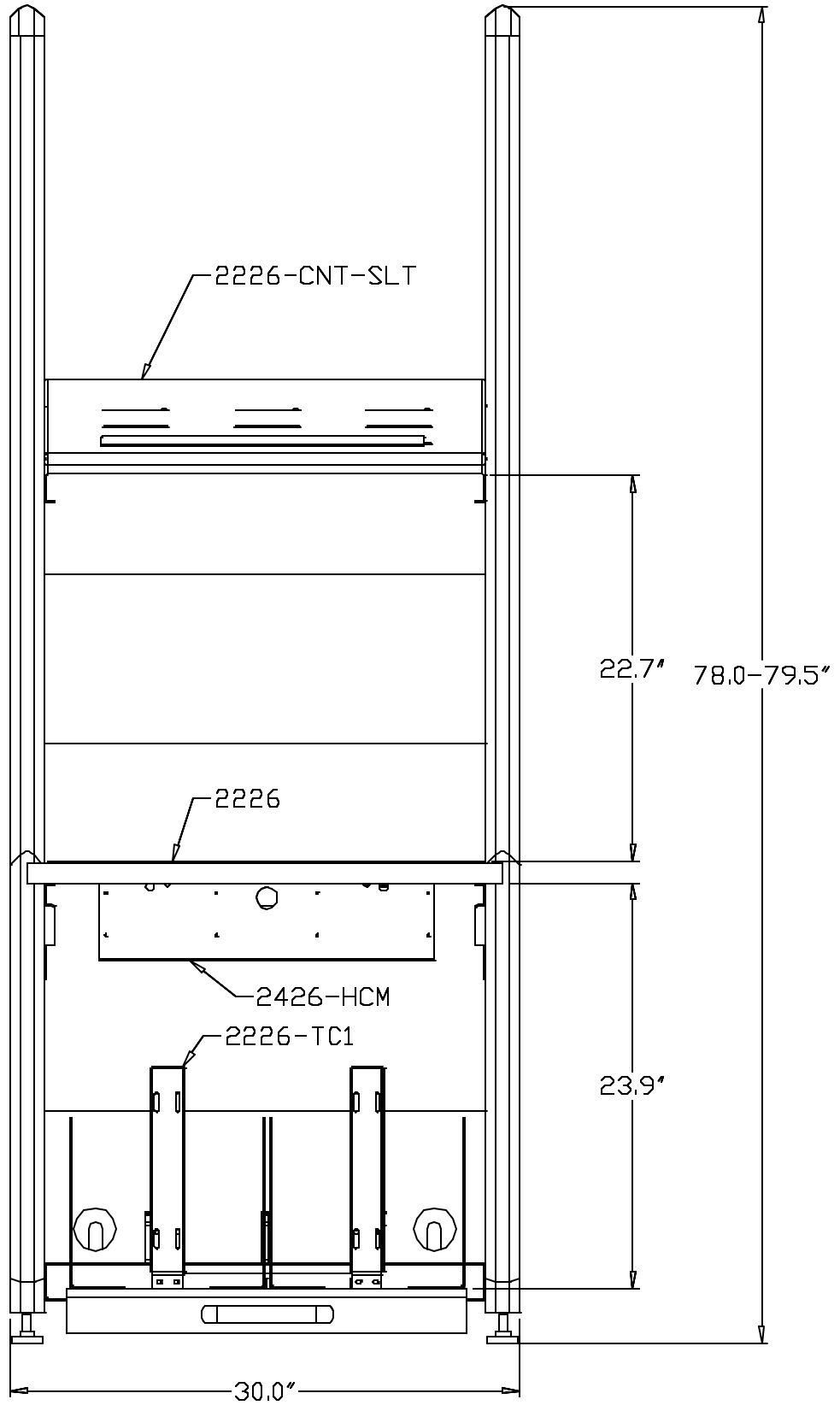
This document contains Great Lakes Case & Cabinet/  
 Proprietary information  
 and may not be reproduced, disclosed, or utilized in  
 whole or in part without its prior written authorization.  
 Unpublished - All rights reserved under copyright.


FILE LOCATION: P:\1-OWMS\1-ARCH\2000+ CAD\10026\2K-3.dwg

REV DESCRIPTION

# FOR REFERENCE ONLY

## FRONT VIEW



CUSTOMER#	QTY PER UNIT:	DRAWN BY: MIKE	REV. DATE: 6-5-00	 Great Lakes Case & Cabinet Co. P.O. Box 551 / Edinboro, PA 16412 PHONE: (814) 774-7266 FAX: (814) 774-3867 EMAIL: glcase@prodnet.com
SCALE: N.T.S.	MATERIAL:	ISSUE DATE: 5-9-00	PART DESCRIPTION: ADVANTAGE 2000+ OPEN ARCHITECTURE WORK STATION	
TOLERANCES ON DIMENSIONS UNLESS OTHERWISE SPECIFIED: DECIMAL .00X ± .010 .XX ± .015 .X ± .020 ANGULAR ± 1/2° DIMENSIONS IN INCHES DO NOT SCALE		DESIGN CHG#	SHEET: 3 OF 6	REV. 1 DRAWING NO. GL2026-C03