

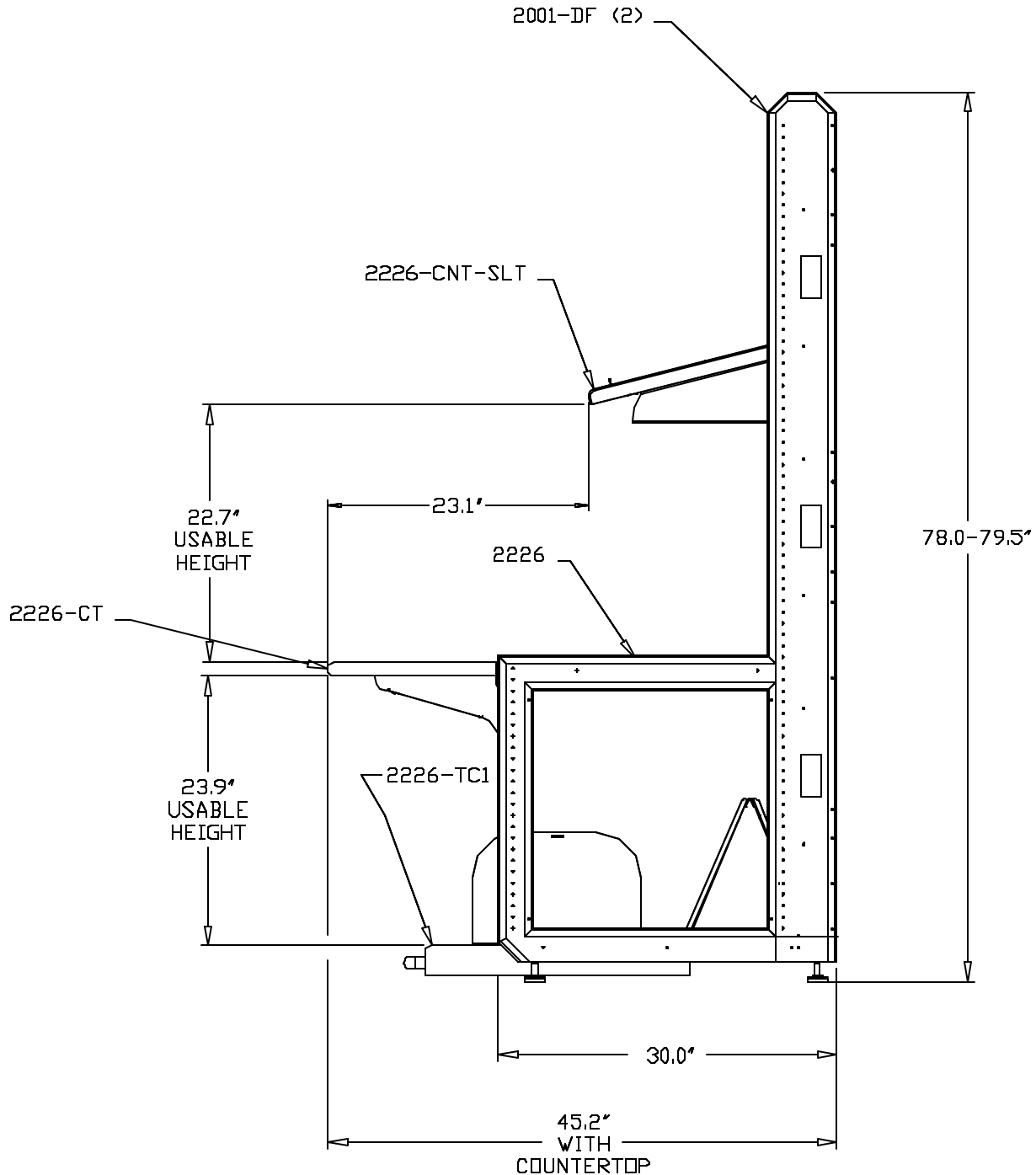
This document contains Great Lakes Case & Cabinet/  
 Proprietary information  
 and may not be reproduced, disclosed, or utilized in  
 whole or in part without its prior written authorization.  
 Unpublished - All rights reserved under copyright.

FILE LOCATION: P:\1-DMG\1-ARCH\SHOP DRAWINGS\CO3\W0226\SK-2.dwg

FOR REFERENCE ONLY


REV DESCRIPTION

SIDE VIEW



NOTE:

- 1) SHELF HEIGHTS ARE VARIABLE IN 1" INCREMENTS.
- 2) THE 2226-CNT-SLT SHELF CAN BE ANGLED AT 15 DEGREES OR MOUNTED HORIZONTALLY.
- 3) THERE IS 23.1" OF USABLE DEPTH FROM THE FRONT OF THE 2226-CT TO THE FRONT OF THE 2226-CNT-SLT.
- 4) THE HEIGHT OF THE SECTION WITH OPTIONAL CASTERS IS 80.8".

CUSTOMER#	QTY PER UNIT:	DRAWN BY: MIKE	REV. DATE: 6-5-00	 Great Lakes Case & Cabinet Co. P.O. Box 551 / Edinboro, PA 16412 PHONE: (814) 774-7266 FAX: (814) 774-3967 EMAIL: glc@glcc.com
SCALE: N.T.S.	MATERIAL:	ISSUE DATE: 5-9-00	PART DESCRIPTION: ADVANTAGE 2000+ OPEN ARCHITECTURE WORK STATION	
TOLERANCES ON DIMENSIONS UNLESS OTHERWISE SPECIFIED: DECIMAL .00X ± .010 .XX ± .015 .X ± .020 ANGULAR ± 1/2° DIMENSIONS IN INCHES DO NOT SCALE		DESIGN CHG#	SHEET: 2 OF 6	REV. 1 DRAWING NO. GL2D26-CO3