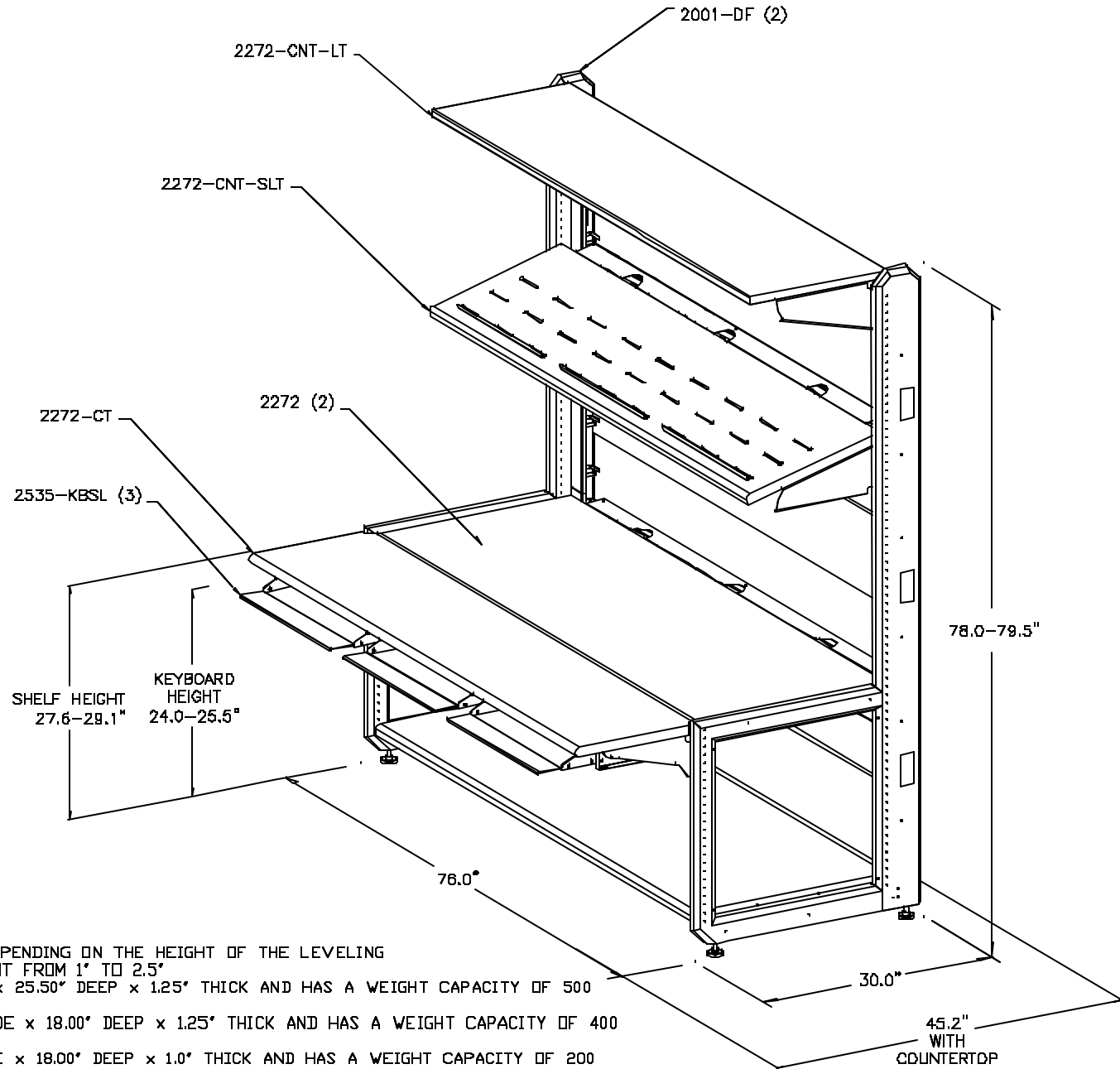


# FOR REFERENCE ONLY



**NOTE:**

- 1) THE HEIGHTS SHOWN MAY VARY DEPENDING ON THE HEIGHT OF THE LEVELING GLIDES, WHICH CAN VARY IN HEIGHT FROM 1" TO 2.5"
- 2) THE 2272 SHELF IS 71.75" WIDE x 25.50" DEEP x 1.25" THICK AND HAS A WEIGHT CAPACITY OF 500 LBS.
- 3) THE 2272-CNT-SLT IS 71.875" WIDE x 18.00" DEEP x 1.25" THICK AND HAS A WEIGHT CAPACITY OF 400 LBS.
- 4) THE 2272-CNT-LT IS 71.875" WIDE x 18.00" DEEP x 1.0" THICK AND HAS A WEIGHT CAPACITY OF 200 LBS.
- 5) THE HEIGHT OF THE SECTION WITH OPTIONAL CASTERS IS 80.8".

This document contains Great Lakes Case & Cabinet/Proprietary information and may not be reproduced, disclosed, or utilized in whole or in part without its prior written authorization. Unpublished - All rights reserved under copyright.

**DIMENSIONS IN INCHES**  
 TOLERANCES ON DIMENSIONS UNLESS OTHERWISE SPECIFIED  
 DECIMAL .00X ± .010 .01X ± .015 .X ± .020 ANGULAR ± 1/2°  
 FILE LOCATION: F:\1-DWG\1-ARCH\3D\10 CONF\2\02\WEB72EX\3K-1

DESIGN CHG:  
 QTY PER UNIT:  
 SCALE: N.T.S.  
 MATERIAL:

DESIGN BY: MIKE  
 DATE: 1-25-00  
 CUSTOMER:  
 SHEET: 1 OF 6

REV. DATE: 5-5-00  
 PART DESCRIPTION:  
 ADVANTAGE 2DOOR-OPEN ARCHITECTURE WORK STATION



Great Lakes Case & Cabinet Co.  
 P.O. Box 551 / Edinboro, PA 16412  
 PHONE: 814-724-7400 FAX: 814-724-3807 EMAIL: glcase@glcase.com  
 REV: 1 DRAWING NO: GL2072-C02EX