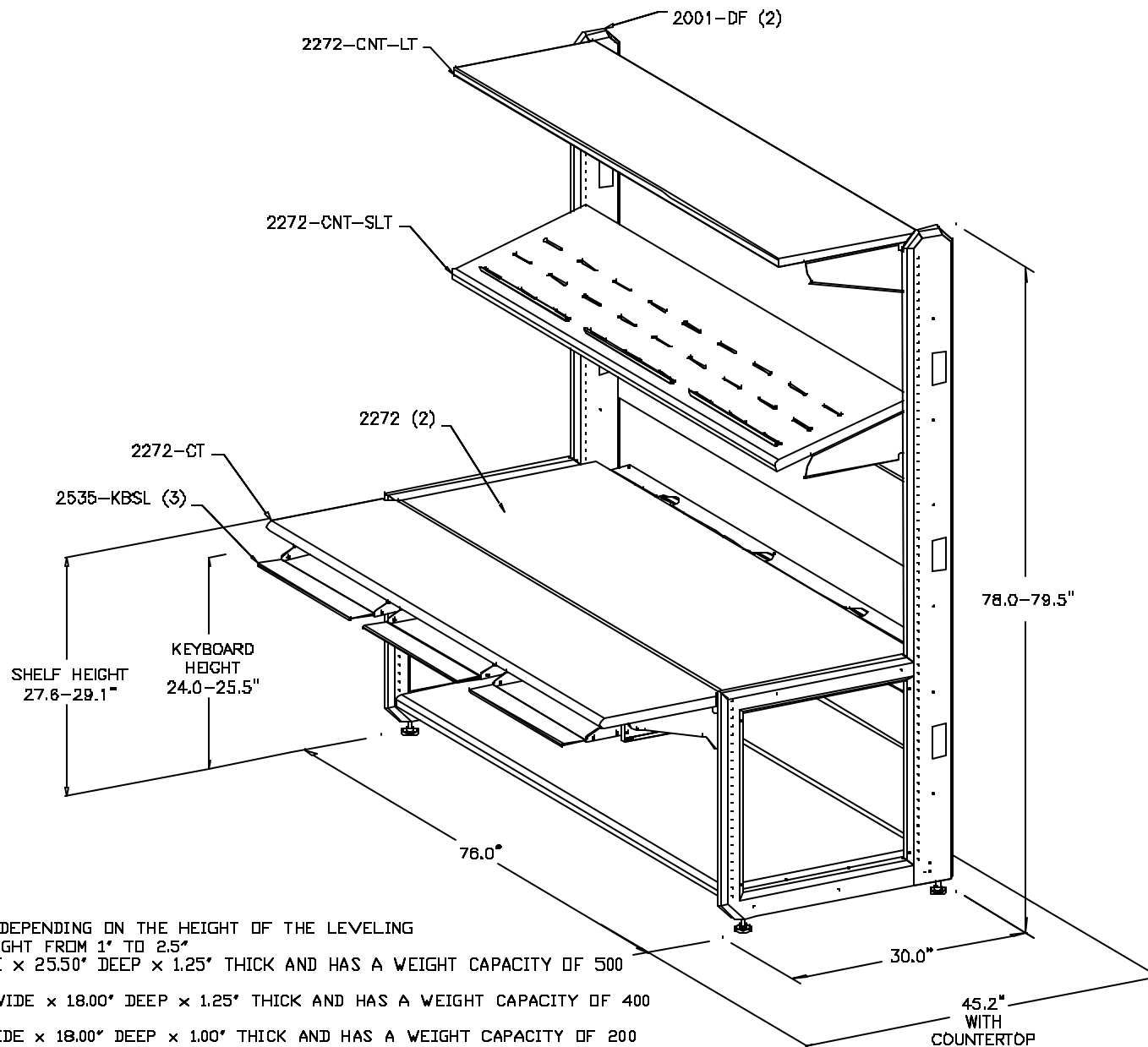


FOR REFERENCE ONLY

REV	DESCRIPTION
-----	-------------



NOTE:

- 1) THE HEIGHTS SHOWN MAY VARY DEPENDING ON THE HEIGHT OF THE LEVELING GLIDES, WHICH CAN VARY IN HEIGHT FROM 1" TO 2.5"
- 2) THE 2272 SHELF IS 71.75" WIDE x 25.50" DEEP x 1.25" THICK AND HAS A WEIGHT CAPACITY OF 500 LBS.
- 3) THE 2272-CNT-SLT IS 71.875" WIDE x 18.00" DEEP x 1.25" THICK AND HAS A WEIGHT CAPACITY OF 400 LBS.
- 4) THE 2272-CNT-LT IS 71.875" WIDE x 18.00" DEEP x 1.00" THICK AND HAS A WEIGHT CAPACITY OF 200 LBS.
- 5) THE HEIGHT OF THE SECTION WITH OPTIONAL CASTERS IS 80.8".

This document contains Great Lakes Case & Cabinet/Proprietary information and may not be reproduced, disclosed, or utilized in whole or in part without its prior written authorization. Unpublished - All rights reserved under copyright.	DIMENSIONS IN INCHES TOLERANCES ON DIMENSIONS UNLESS OTHERWISE SPECIFIED DECIMAL .00X ± .010 .01X ± .015 .X ± .020 ANGULAR ± 1/2°	DO NOT SCALE	DESIGN CHG# QTY PER UNIT:	DRAWN BY: MIKE ISSUE DATE: 4-17-00	REV. DATE: 6-1-00 PART DESCRIPTION:	Great Lakes Case & Cabinet Co. P.O. Box 551 / Edinboro, PA 16412 PHONE: 814-724-7400 FAX: 814-724-3807 EMAIL: glc@glcc.com
	FILE LOCATION: F:\1-DWG\1-ARCH\3D\10 CONF\25\02\WEB72\9K-1	SCALE: N.T.S. MATERIAL:	CUSTOMER:	SHEET: 1 OF 6	ADVANTAGE 2DOOR-OPEN ARCHITECTURE WORK STATION	
						REV. 1 DRAWING NO. GL2072-C02