

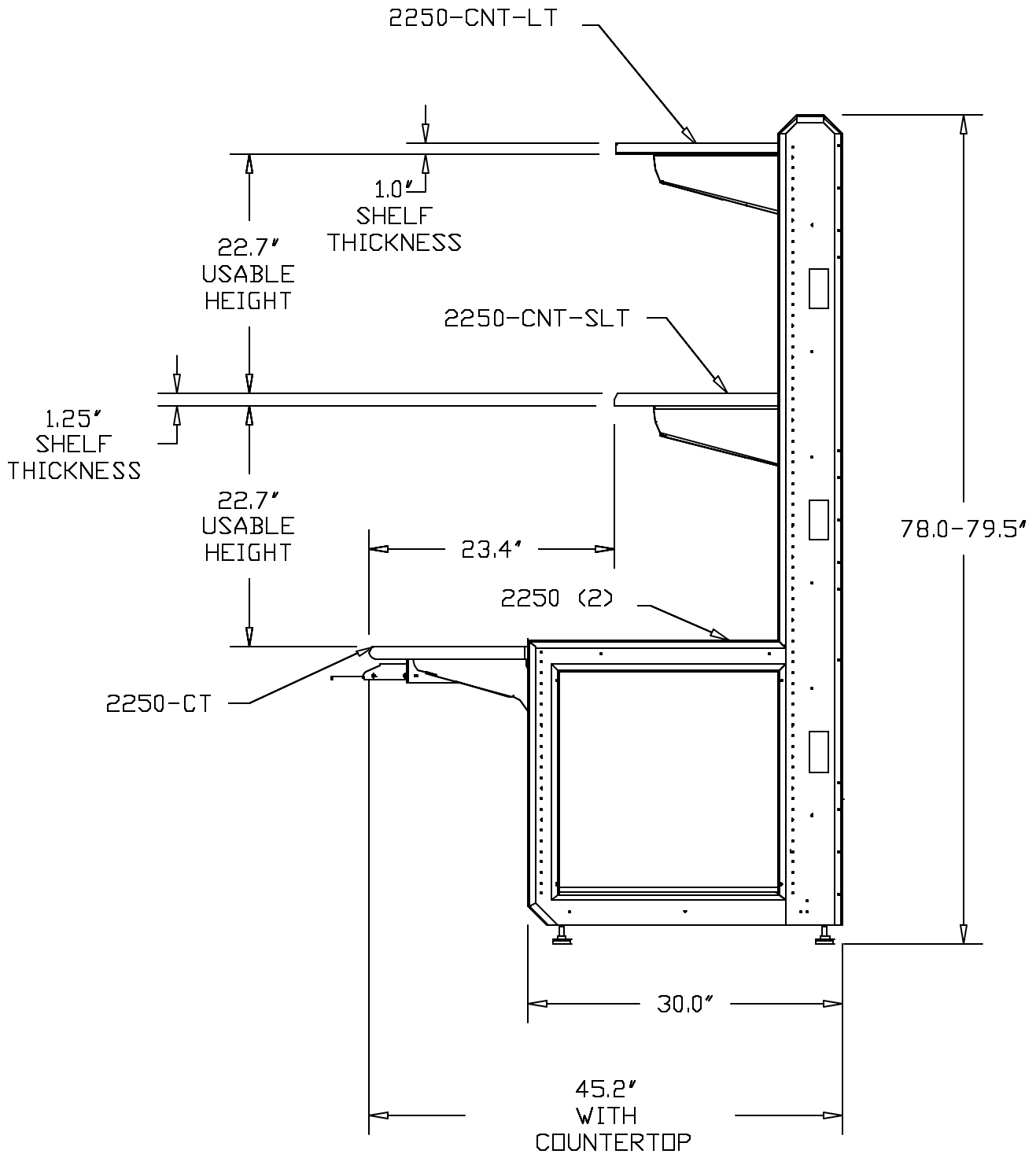
This document contains Great Lakes Case & Cabinet/
 Proprietary Information
 and may not be reproduced, disclosed, or utilized in
 whole or in part without its prior written authorization.
 Unpublished - All rights reserved under copyright.

FOR REFERENCE ONLY

REV	DESCRIPTION
-----	-------------

FILE LOCATION: F:\1-DWG\1-ARCH\SOLID CAD\FB\CO2\WEBDEX\SK-2A

SIDE VIEW



NOTE:

- 1) SHELF HEIGHTS ARE VARIABLE IN 1" INCREMENTS.
- 2) 2250-CNT-SLT SHELF CAN BE ANGLED AT 15 DEGREES OR MOUNTED HORIZONTALLY.
- 3) THERE IS 23.4" OF USABLE DEPTH FROM THE FRONT OF THE 2250-CT TO THE FRONT OF THE 2250-CNT-SLT.
- 4) THE HEIGHT OF THE CABINET WITH OPTIONAL CASTERS IS 80.8".

CUSTOMER #	QTY PER UNIT:	DRAWN BY: MIKE	REV. DATE: 6-1-00	 Great Lakes Case & Cabinet Co. P.O. Box 351 / Edinboro, PA 16412 PHONE: (814) 704-7242 FAX: (814) 704-2827 EMAIL: glcase@earthlink.net
SCALE: N.T.S.	MATERIAL:	ISSUE DATE: 4-17-00	PART DESCRIPTION: ADVANTAGE 2000+ OPEN ARCHITECTURE WORK STATION	
TOLERANCES ON DIMENSIONS UNLESS OTHERWISE SPECIFIED DECIMAL .00X ± .010 .00X ± .015 .X ± .020 ANGULAR ± 1/2° DIMENSIONS IN INCHES DO NOT SCALE		DESIGN CHG #	SHEET: 2A OF 6	REV. 1 DRAWING NO. GL205D-CO2EX