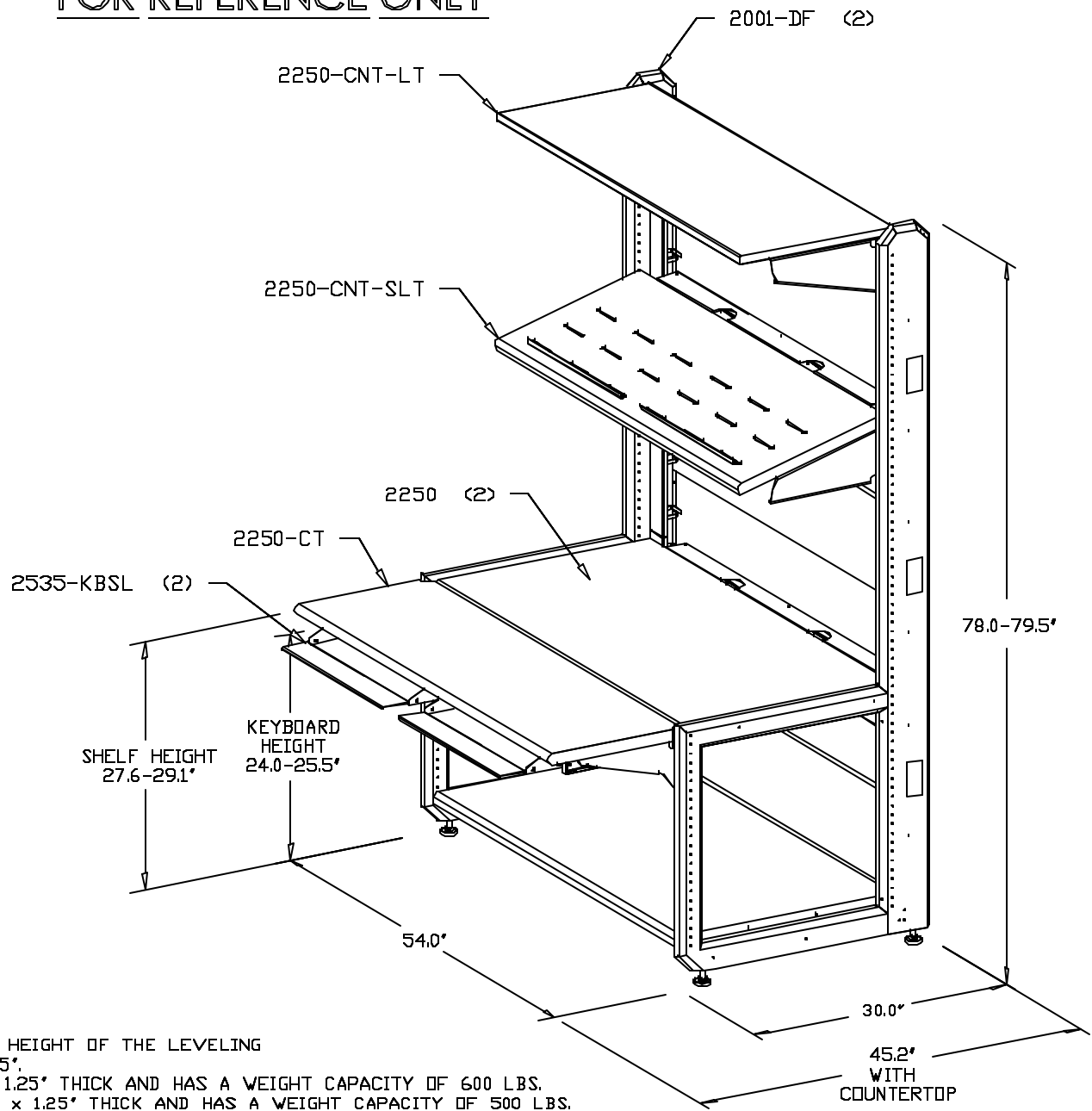


FOR REFERENCE ONLY

REV	DESCRIPTION
-----	-------------



NOTE:

- 1) THE HEIGHTS SHOWN MAY VARY DEPENDING ON THE HEIGHT OF THE LEVELING GLIDES, WHICH CAN VARY IN HEIGHT FROM 1" TO 2.5".
- 2) THE 2250 SHELF IS 49.75" WIDE x 25.50" DEEP x 1.25" THICK AND HAS A WEIGHT CAPACITY OF 600 LBS.
- 3) THE 2250-CNT-SLT IS 49.875" WIDE x 18.00" DEEP x 1.25" THICK AND HAS A WEIGHT CAPACITY OF 500 LBS.
- 4) THE 2250-CNT-LT IS 49.875" WIDE x 18.00" DEEP x 1.00" THICK AND HAS A WEIGHT CAPACITY OF 300 LBS.
- 5) THE HEIGHT OF THE CABINET WITH OPTIONAL CASTERS IS 80.8".

This document contains Great Lakes Case & Cabinet/ Proprietary Information and may not be reproduced, disclosed, or utilized in whole or in part without its prior written authorization. Unpublished - All rights reserved under copyright

DIMENSIONS IN INCHES	DD NOT SCALE
TOLERANCES ON DIMENSIONS UNLESS OTHERWISE SPECIFIED	
DECIMAL .XXX ± .010 .XX ± .015 X ± .020 ANGULAR ± 1/2°	
FILE LOCATION: E:\1-DWG\1-ARCH\BOLD CONFIG\02\WEBDEX\BK-1	

DESIGN CHG#	DRAWN BY: MIKE
QTY PER UNIT	ISSUE DATE: 4-17-00
SCALE: N.T.S.	FINISH
MATERIAL	SHEET 1 OF 6

REV. DATE: 6-1-00
PART DESCRIPTION: ADVANTAGE 2000+ OPEN ARCHITECTURE WORK STATION



Great Lakes Case & Cabinet Co.	
P.O. Box 551 / Edinboro, PA 16412	
REV. 1	DRAWING NO. GL2050-C02EX