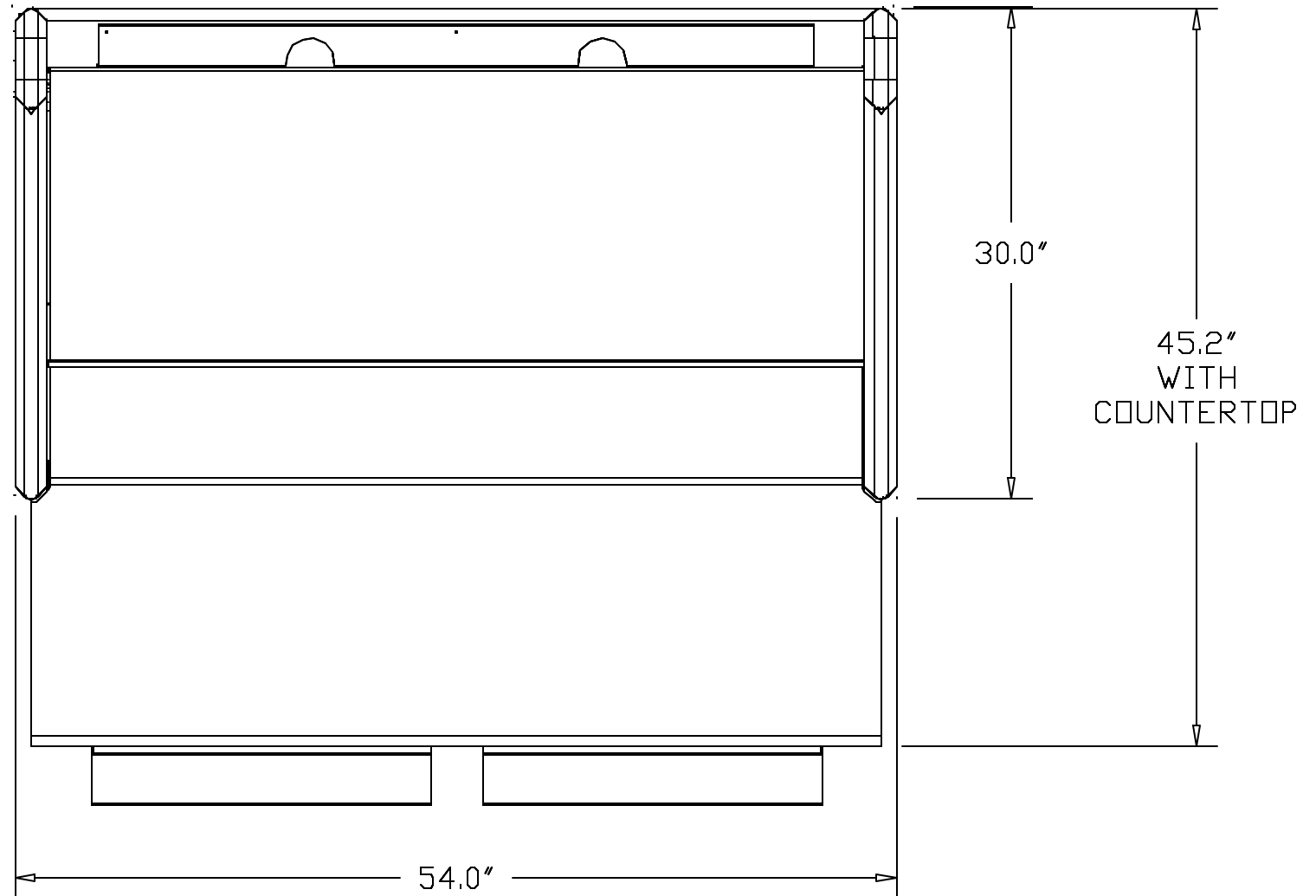


FOR REFERENCE ONLY

REV	DESCRIPTION
-----	-------------

TOP VIEW



This document contains Great Lakes Case & Cabinet/ Proprietary Information and may not be reproduced, disclosed, or utilized in whole or in part without its prior written authorization. Unpublished - All rights reserved under copyright

DIMENSIONS IN INCHES DD NOT SCALE
 TOLERANCES ON DIMENSIONS UNLESS OTHERWISE SPECIFIED
 DECIMAL .XXX ± .010 .XX ± .015 X ± .020 ANGULAR ± 1/2°
 FILE LOCATION: E:\1-DWG\1-ARCH\BOLID CONFIG\02\WEBBO\BK-B.dwg

DESIGN GRW
 QTY PER UNIT
 SCALE N.T.S.
 MATERIAL

DRAWN BY: MIKE
 ISSUE DATE: 4-17-00
 FINISH
 SHEET 5 OF 6

REV. DATE: 6-1-00
 PART DESCRIPTION:
 ADVANTAGE 2000+
 OPEN ARCHITECTURE
 WORK STATION



Great Lakes Case & Cabinet Co.
 P.O. Box 551 / Edinboro, PA 16412
 (814) 693-7799 FAX (814) 693-9817 EMAIL: sales@glcase.com
 REV. 1 DRAWING NO. GL2050-C02