

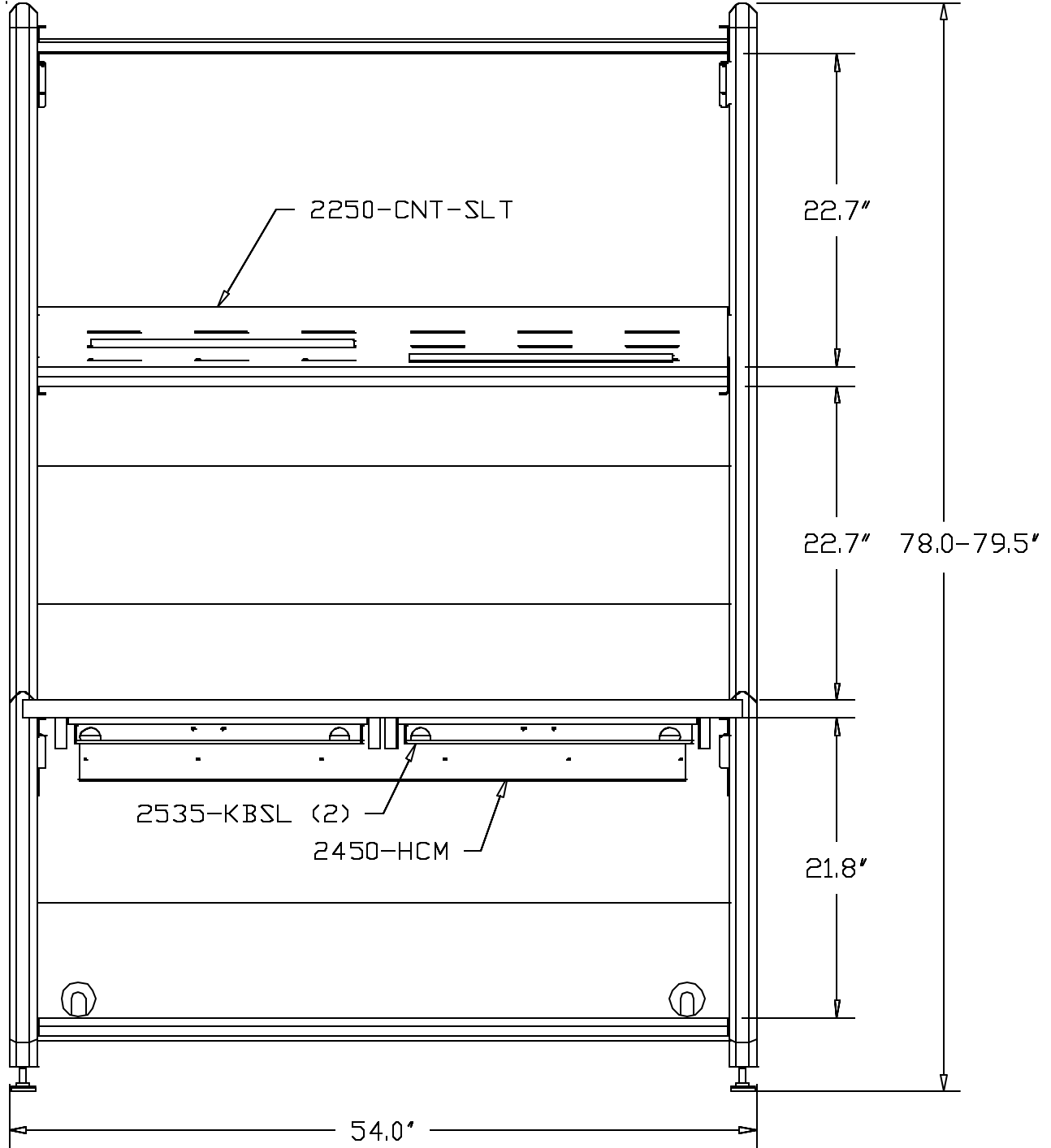
This document contains Great Lakes Case & Cabinet/
 Proprietary information
 and may not be reproduced, disclosed, or utilized in
 whole or in part without its prior written authorization.
 Unpublished - All rights reserved under copyright.


FOR REFERENCE ONLY

REV DESCRIPTION

FILE LOCATION: P:\1-OWMS\1-ARCH\SHOP DRAWINGS\C02\102050\SK-3.dwg

FRONT VIEW



CUSTOMER#	QTY PER UNIT:	DRAWN BY: MIKE	REV. DATE: 6-1-00	 Great Lakes Case & Cabinet Co. P.O. Box 551 / Edinboro, PA 16412 PHONE: (814) 774-7266 FAX: (814) 774-3987 EMAIL: glc@greatlakes.com
SCALE: N.T.S.	MATERIAL:	ISSUE DATE: 4-17-00	PART DESCRIPTION: ADVANTAGE 2000+ OPEN ARCHITECTURE WORK STATION	
TOLERANCES ON DIMENSIONS UNLESS OTHERWISE SPECIFIED: DECIMAL .00X ± .010 .XX ± .015 .X ± .020 ANGULAR ± 1/2° DIMENSIONS IN INCHES DO NOT SCALE		DESIGN CHG#	SHEET: 3 OF 6	REV. 1 DRAWING NO. GL2050-C02