

This document contains Great Lakes Case & Cabinet/  
 Proprietary Information  
 and may not be reproduced, disclosed, or utilized in  
 whole or in part without its prior written authorization.  
 Unpublished - All rights reserved under copyright.

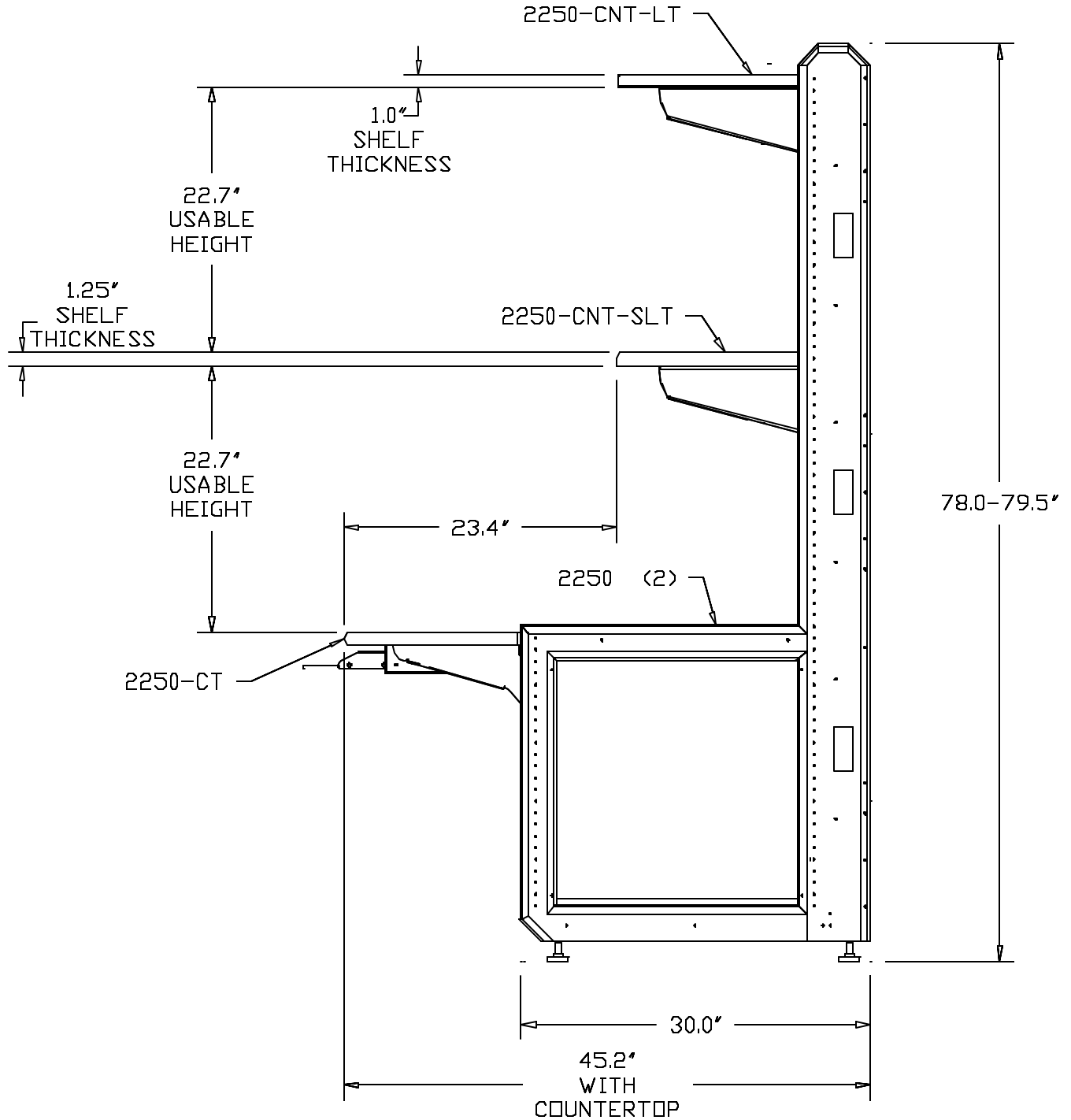
FOR REFERENCE ONLY

REV

DESCRIPTION

FILE LOCATION: E:\1-DWG\1-ARCH\BOLID CONFID\02\WEB6\BK-2A.dwg

SIDE VIEW



NOTE:

- 1) SHELF HEIGHTS ARE VARIABLE IN 1" INCREMENTS.
- 2) 2250-CNT-SLT SHELF CAN BE ANGLED AT 15 DEGREES OR MOUNTED HORIZONTALLY.
- 3) THERE IS 23.4" OF USABLE DEPTH FROM THE FRONT OF THE 2250-CT TO THE FRONT OF THE 2250-CNT-SLT.
- 4) THE HEIGHT OF THE CABINET WITH OPTIONAL CASTERS IS 80.8".

SCALE:	QTY PER UNIT:	DRAWN BY: MIKE	REV. DATE: 6-1-00		Great Lakes Case & Cabinet Co. P.O. Box 351 / Edinboro, PA 16412 PHONE: (814) 734-7900 FAX: (814) 734-3827 EMAIL: glc@glcc.com
SCALE: N.T.S.	MATERIAL:	ISSUE DATE: 4-17-00	PART DESCRIPTIONS:		
TOLERANCES ON DIMENSIONS UNLESS OTHERWISE SPECIFIED: DECIMAL .00X ± .010 .XX ± .015 .X ± .020 ANGULAR ± 1/2° DIMENSIONS IN INCHES DO NOT SCALE.		DESIGN CHG:	ADVANTAGE 2000+ OPEN ARCHITECTURE WORK STATION		
		SHEET: 2A OF 6			