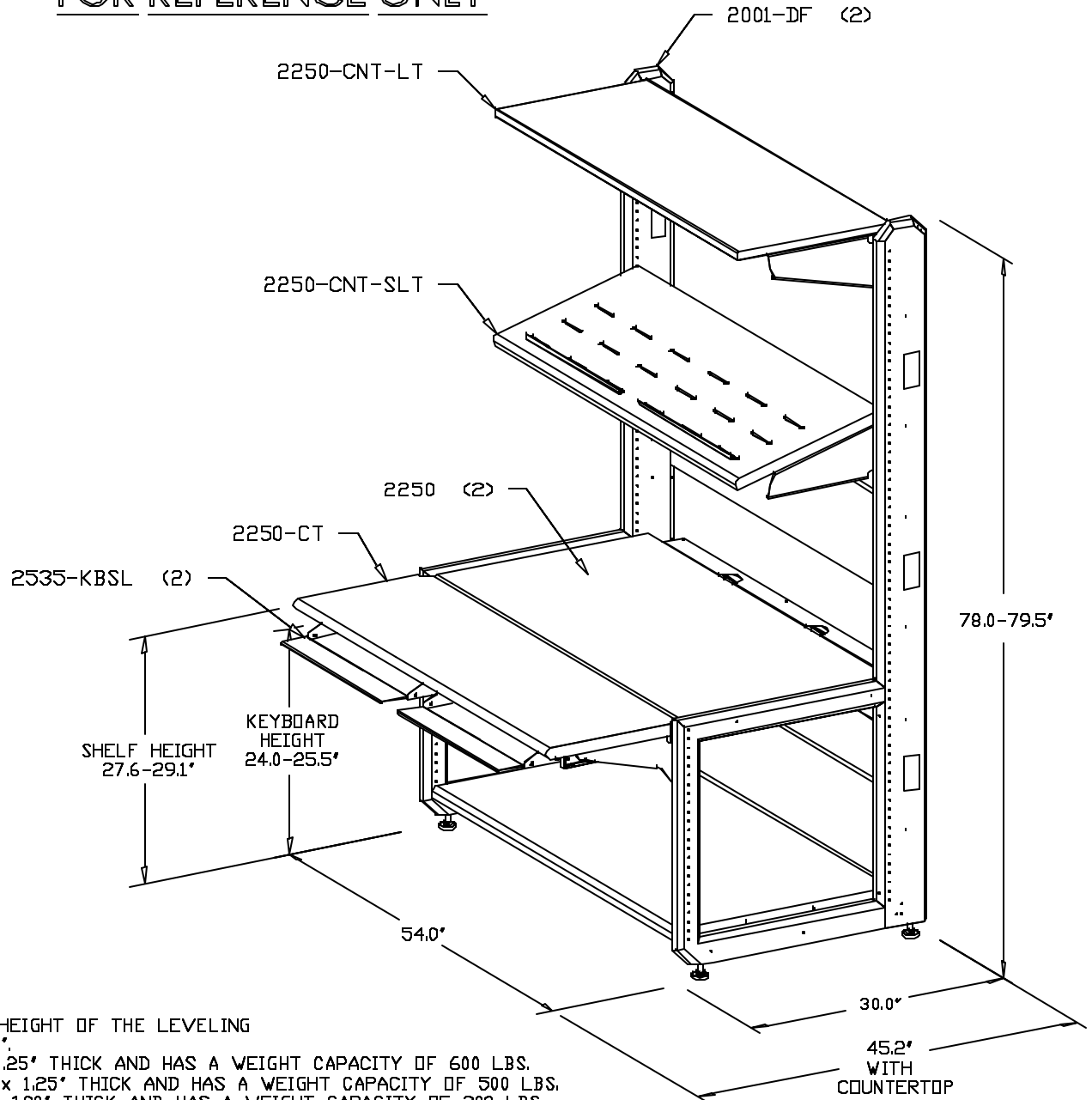


# FOR REFERENCE ONLY

| REV | DESCRIPTION |
|-----|-------------|
|-----|-------------|



**NOTE:**

- 1) THE HEIGHTS SHOWN MAY VARY DEPENDING ON THE HEIGHT OF THE LEVELING GLIDES, WHICH CAN VARY IN HEIGHT FROM 1" TO 2.5".
- 2) THE 2250 SHELF IS 49.75" WIDE x 25.50" DEEP x 1.25" THICK AND HAS A WEIGHT CAPACITY OF 600 LBS.
- 3) THE 2250-CNT-SLT IS 49.875" WIDE x 18.00" DEEP x 1.25" THICK AND HAS A WEIGHT CAPACITY OF 500 LBS.
- 4) THE 2250-CNT-LT IS 49.875" WIDE x 18.00" DEEP x 1.00" THICK AND HAS A WEIGHT CAPACITY OF 300 LBS.
- 5) THE HEIGHT OF THE CABINET WITH OPTIONAL CASTERS IS 80.8".

This document contains Great Lakes Case & Cabinet/ Proprietary Information and may not be reproduced, disclosed, or utilized in whole or in part without its prior written authorization. Unpublished - All rights reserved under copyright

|   |              |
|---|--------------|
| DIMENSIONS IN INCHES  | DO NOT SCALE |
| TOLERANCES ON DIMENSIONS UNLESS OTHERWISE SPECIFIED         |              |
| DECIMAL .XXX ± .010 .XX ± .015 X ± .020 ANGULAR ± 1/2°      |              |
| FILE LOCATION: E:\1-DWG\1-ARCH\BOLD CONFIG\02\WEBB\BK-1.dwg |              |

|               |                     |
|---------------|---------------------|
| DESIGN CHG#   | DRAWN BY: MIKE      |
| QTY PER UNIT  | ISSUE DATE: 4-17-00 |
| SCALE: N.T.S. | FINISH              |
| MATERIAL      | SHEET 1 OF 6        |

|  |
|--|
| REV. DATE: 6-1-00  |
| PART DESCRIPTION: ADVANTAGE 2000+ OPEN ARCHITECTURE WORK STATION |

|  |
|--|
| REV. DATE: 6-1-00  |
| PART DESCRIPTION: ADVANTAGE 2000+ OPEN ARCHITECTURE WORK STATION |



|                                   |                        |
|-----------------------------------|------------------------|
| Great Lakes Case & Cabinet Co.    |                        |
| P.O. Box 551 / Edinboro, PA 16412 |                        |
| REV. 1                            | DRAWING NO. GL2050-C02 |