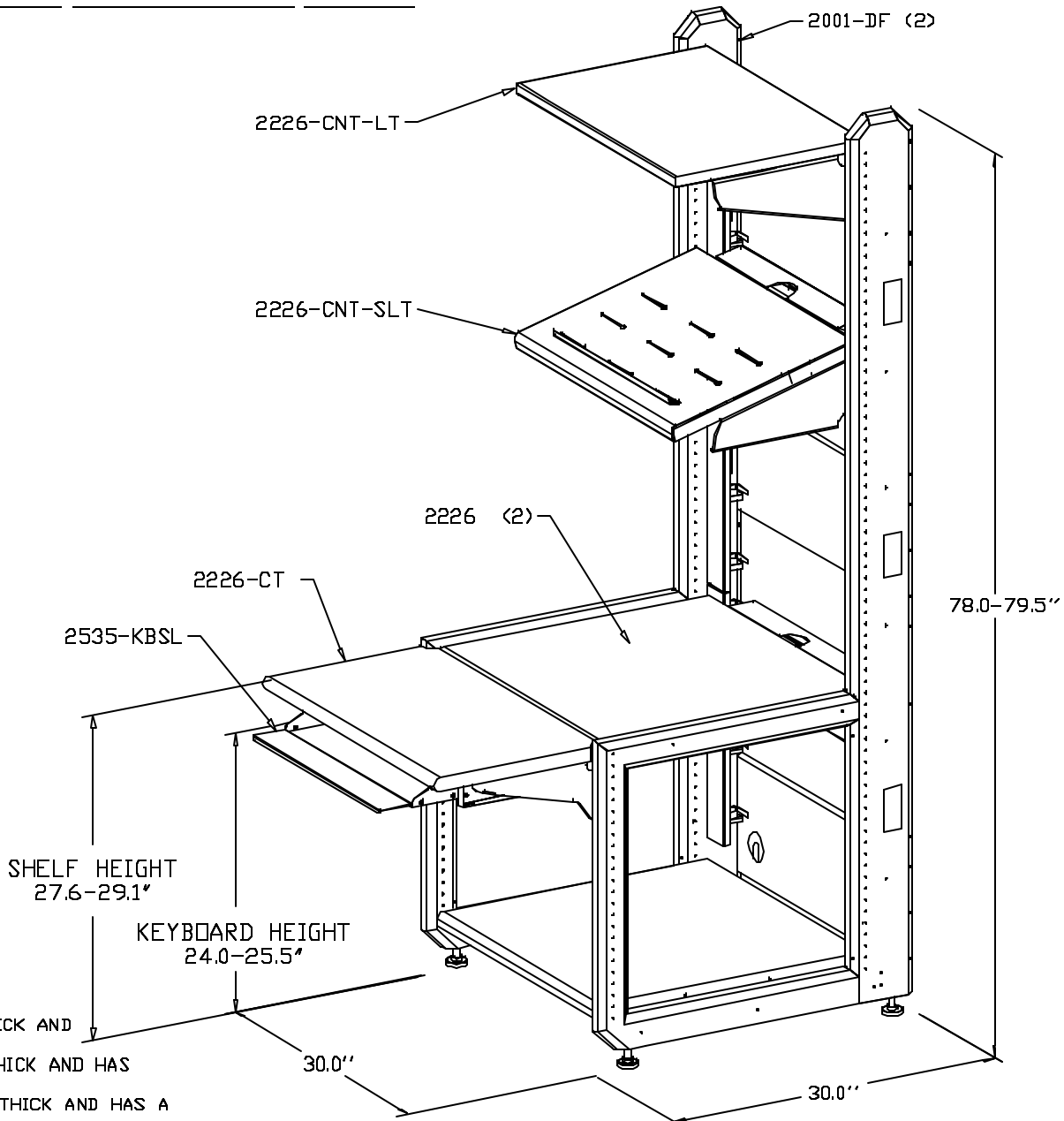


FOR REFERENCE ONLY

REV	DESCRIPTION
-----	-------------



NOTE:

- 1) THE HEIGHTS SHOWN MAY VARY DEPENDING ON THE HEIGHTS OF THE LEVELING GLIDES, WHICH CAN VARY IN HEIGHT FROM 1" TO 2.5".
- 2) THE 2226 SHELF IS 25.75" WIDE x 25.50" DEEP x 1.25" THICK AND HAS A WEIGHT CAPACITY OF 600 LBS.
- 3) THE 2226-CNT-LT IS 25.875" WIDE x 18.00" DEEP x 1.00" THICK AND HAS A WEIGHT CAPACITY OF 400 LBS.
- 4) THE 2226-CNT-SLT IS 25.875" WIDE x 18.00" DEEP x 1.25" THICK AND HAS A WEIGHT CAPACITY OF 600 LBS.
- 5) THE 2226-CT IS 28.00" WIDE x 16.00" DEEP x 1.25" THICK AND HAS A WEIGHT CAPACITY OF 400 LBS.
- 6) THE HEIGHT OF THE CONFIGURATION WITH OPTIONAL CASTERS IS 80.8".

This document contains Great Lakes Case & Cabinet/Proprietary information and may not be reproduced, disclosed, or utilized in whole or in part without its prior written authorization. Unpublished - All rights reserved under copyright.	DIMENSIONS IN INCHES TOLERANCES ON DIMENSIONS UNLESS OTHERWISE SPECIFIED DECIMAL .00X ± .010 .00X ± .015 .X ± .020 ANGULAR ± 1/2	DO NOT SCALE QTY PER UNIT:	DESIGN CHG: DRAWN BY: MIKE ISSUE DATE: 3-22-00 SCALE: N.T.S. SHEET: 1 OF 6	REV. DATE: 5-1-00 PART DESCRIPTION: ADVANTAGE 2DOOR-OPEN ARCHITECTURE WORK STATION	Great Lakes Case & Cabinet Co. P.O. Box 551 / Edinboro, PA 16412 PHONE: 814-724-7433 FAX: 814-724-3807 EMAIL: gllc@glcc.com
	FILE LOCATION: F:\1-DWG\1-ARCH\SOLID CONFIG\02\WEB226\3K-1	MATERIAL:	REV. 1 DRAWING NO. GL2026-C02EX		
	© 2000 Great Lakes Case & Cabinet Co. All rights reserved.			SHEET: 1 OF 6	REV. 1 DRAWING NO. GL2026-C02EX
	This document contains Great Lakes Case & Cabinet/Proprietary information and may not be reproduced, disclosed, or utilized in whole or in part without its prior written authorization. Unpublished - All rights reserved under copyright.				