

This document contains Great Lakes Case & Cabinet/
 Proprietary Information
 and may not be reproduced, disclosed, or utilized in
 whole or in part without its prior written authorization.
 Unpublished - All rights reserved under copyright.

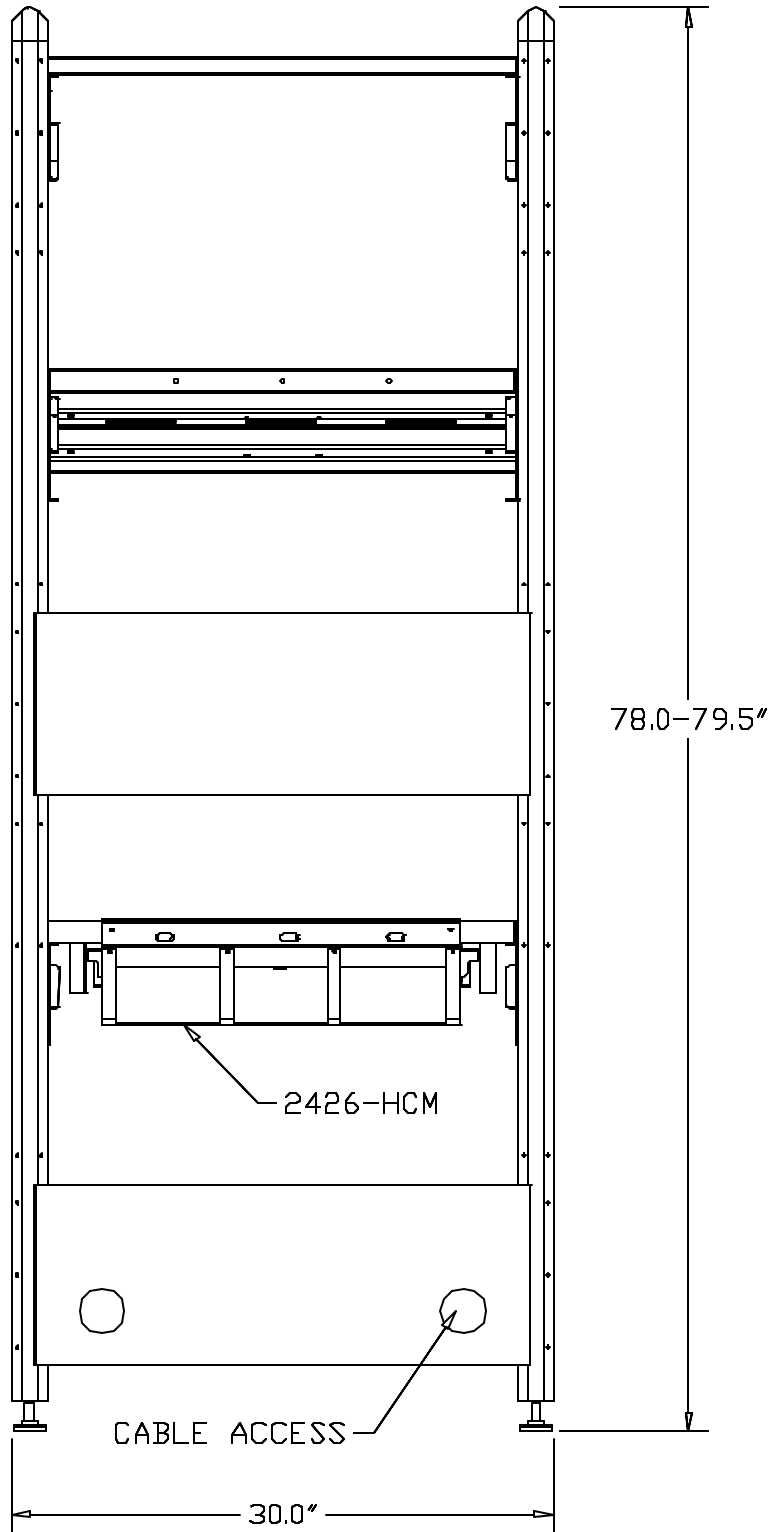
FOR REFERENCE ONLY

REV


DESCRIPTION

FILE LOCATION: E:\1-DWG\1-ARCH\CONFIG\CD2\WEB26\BK-4.dwg

BACK VIEW



- NOTE:
- 1) THE MINIMUM REQUIREMENT FOR A CONFIGURATION IS TWO BRACES.
 - 2) THE HEIGHT OF THE CABINET WITH OPTIONAL CASTERS IS 80.8".

SCALE:	QTY PER UNIT:	DRAWN BY: MIKE	REV. DATE: 6-1-00	 Great Lakes Case & Cabinet Co. P.O. Box 351 / Edinboro, PA 16412 PHONE: (814) 734-7900 FAX: (814) 734-3827 EMAIL: glc@glcc.com
SCALE: N.T.S.	MATERIAL:	ISSUE DATE: 3-15-00	PART DESCRIPTIONS: ADVANTAGE 2000+ OPEN ARCHITECTURE WORK STATION	
TOLERANCES ON DIMENSIONS UNLESS OTHERWISE SPECIFIED: DECIMAL .00X ± .010 .0X ± .015 .X ± .020 ANGULAR ± 1/2° DIMENSIONS IN INCHES DO NOT SCALE		DESIGN CHECK:	SHEET: 4 OF 6	REV: 1 DRAWING NO: GL2026-CD2