

This document contains Great Lakes Case & Cabinet/  
 Proprietary Information  
 and may not be reproduced, disclosed, or utilized in  
 whole or in part without its prior written authorization.  
 Unpublished - All rights reserved under copyright.

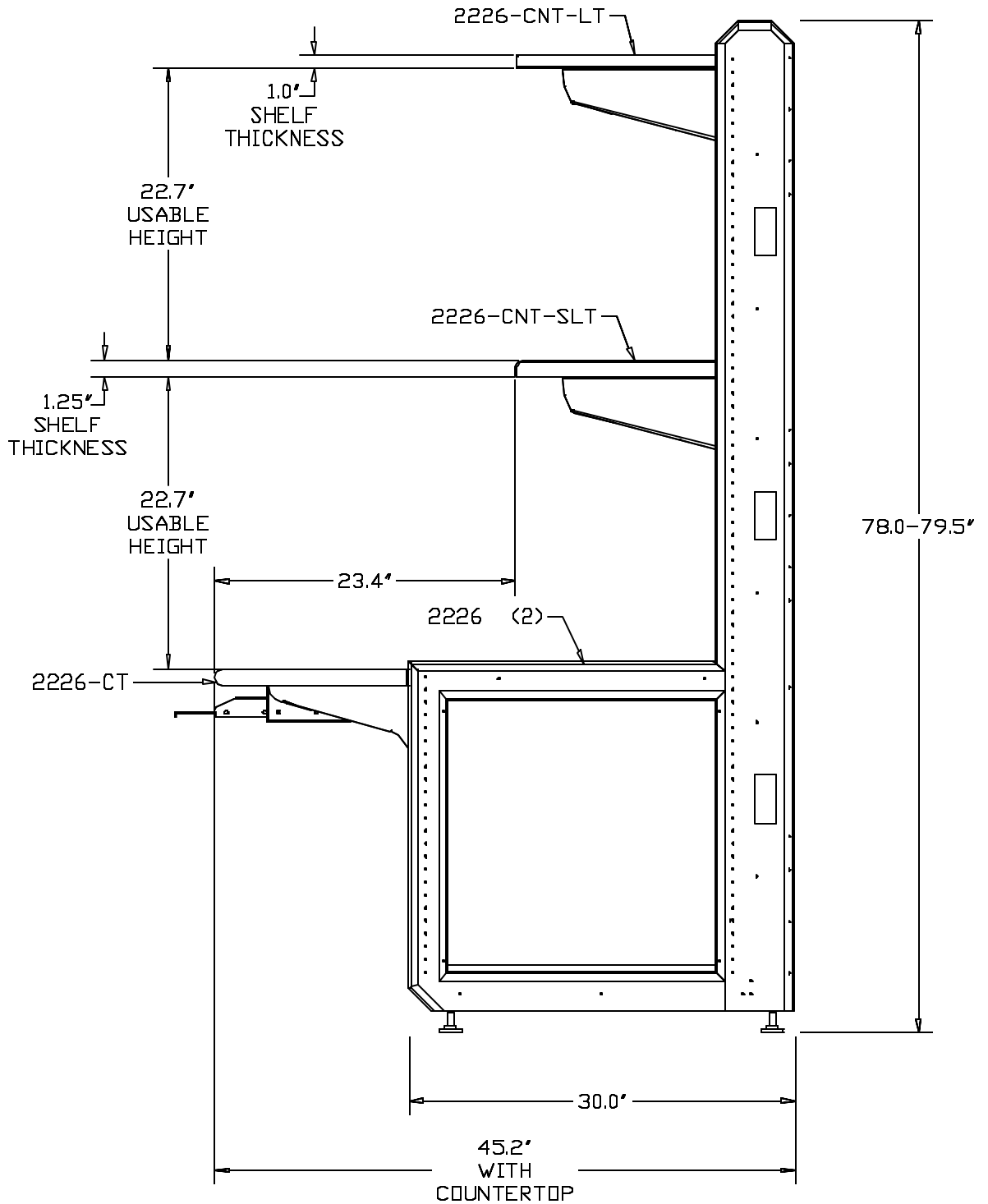
FOR REFERENCE ONLY

REV

DESCRIPTION


FILE LOCATION: E:\1-DWG\1-ARCH\CONFIG\02\WEB26\BK-2A.dwg

SIDE VIEW



NOTE:

- 1) SHELF HEIGHTS ARE VARIABLE IN 1" INCREMENTS.
- 2) 2226-CNT-SLT SHELF CAN BE ANGLED AT 15 DEGREES OR MOUNTED HORIZONTALLY.
- 3) THERE IS 23.4" OF USABLE DEPTH FROM THE FRONT OF THE 2226-CT TO THE FRONT OF THE 2226-CNT-SLT.
- 4) THE HEIGHT OF THE CABINET WITH OPTIONAL CASTERS IS 80.8".

SCALE:	QTY PER UNIT:	DRAWN BY: MIKE	REV. DATE: 6-1-00	 Great Lakes Case & Cabinet Co. P.O. Box 351 / Edinboro, PA 16412 PHONE: (814) 734-7925 FAX: (814) 734-3827 EMAIL: glc@glcc.com
SCALE: N.T.S.	MATERIAL:	ISSUE DATE: 3-15-00	PART DESCRIPTIONS: ADVANTAGE 2000+ OPEN ARCHITECTURE WORK STATION	
TOLERANCES ON DIMENSIONS UNLESS OTHERWISE SPECIFIED: DECIMAL .XXX ± .010 .XX ± .015 .X ± .020 ANGULAR ± 1/2° DIMENSIONS IN INCHES DO NOT SCALE		DESIGN CHG#	SHEET: 2A OF 6	REV: 1 DRAWING NO: GL2026-C02