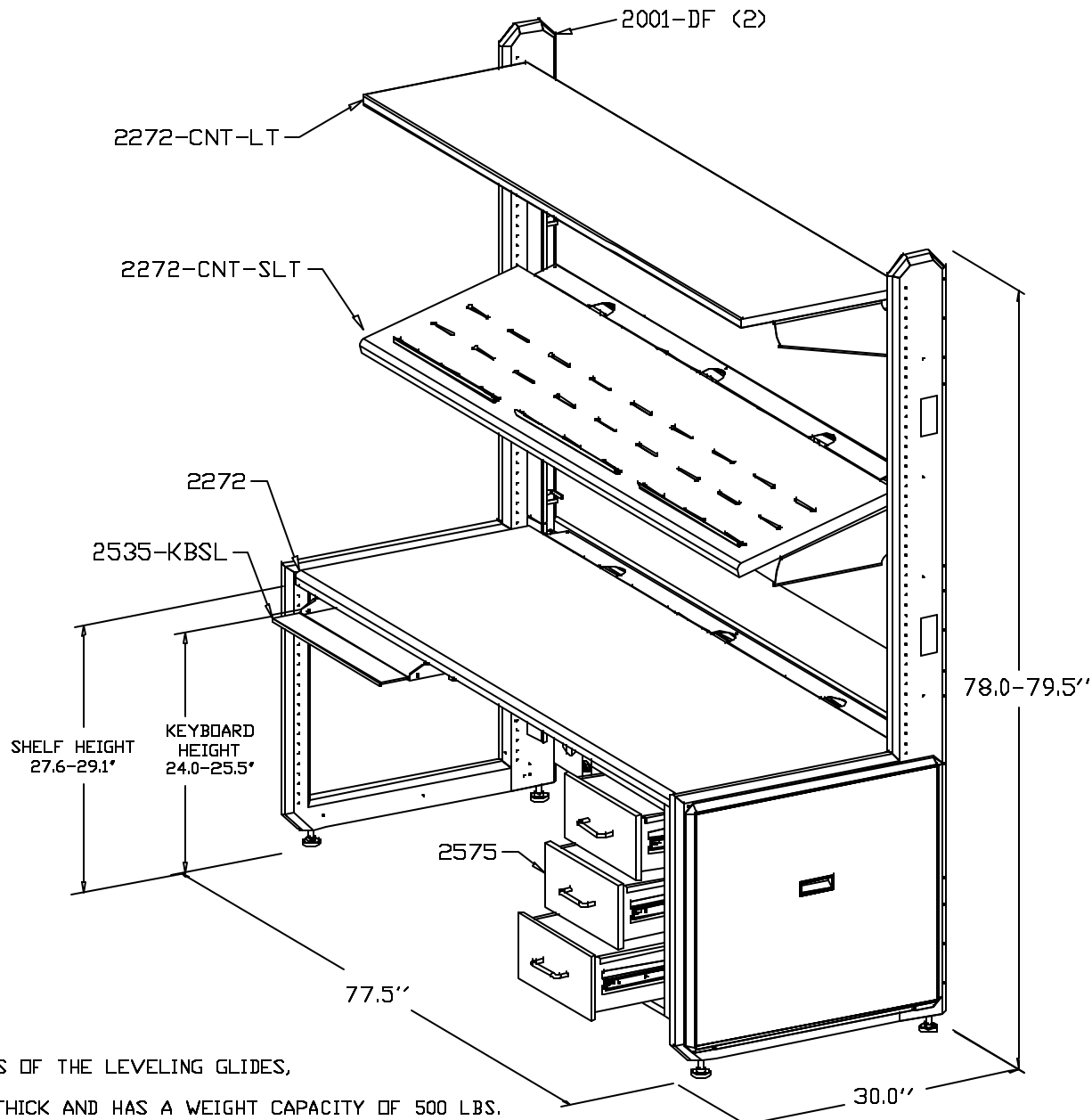


FOR REFERENCE ONLY

REV	DESCRIPTION
-----	-------------



NOTE:

- 1) THE HEIGHTS SHOWN MAY VARY DEPENDING ON THE HEIGHTS OF THE LEVELING GLIDES, WHICH CAN VARY IN HEIGHT FROM 1" TO 2.5".
- 2) THE 2272 SHELF IS 71.75" WIDE x 25.50" DEEP x 1.25" THICK AND HAS A WEIGHT CAPACITY OF 500 LBS.
- 3) THE 2272-CNT-SLT IS 71.875" WIDE x 18.00" DEEP x 1.25" THICK AND HAS A WEIGHT CAPACITY OF 400 LBS.
- 4) THE 2272-CNT-LT IS 71.875" WIDE x 18.00" DEEP x 1.00" THICK AND HAS A WEIGHT CAPACITY OF 200 LBS.
- 5) THE HEIGHT OF THE CABINET WITH OPTIONAL CASTERS IS 80.8".

This document contains Great Lakes Case & Cabinet/ Proprietary information and may not be reproduced, disclosed, or utilized in whole or in part without its prior written authorization. Unpublished - All rights reserved under copyright.

DIMENSIONS IN INCHES	DO NOT SCALE
TOLERANCES ON DIMENSIONS UNLESS OTHERWISE SPECIFIED	
DECIMAL .00X ± .010 .00X ± .015 .X ± .020 ANGULAR ± 1/2	
FILE LOCATION: E:\1-DWG\1-ARCH\CONF\GL\WEB72EX\9K-1.dwg	

DESIGN CHG#	
QTY PER UNIT	
SCALE	N.T.S.
MATERIAL	

DRAWN BY:	MIKE
ISSUE DATE:	3-15-00
CUSTOMER	
SHEET:	1 OF 6

REV. DATE:	5-30-00
PART DESCRIPTION:	
ADVANTAGE 2DOOR-OPEN ARCHITECTURE WORK STATION	



Great Lakes Case & Cabinet Co.
P.O. Box 551 / Edinboro, PA 16412
PHONE: 814-224-7433 FAX: 814-224-3207 EMAIL: glc@glcc.com

REV.	DRAWING NO.
1	GL2072-C01EX