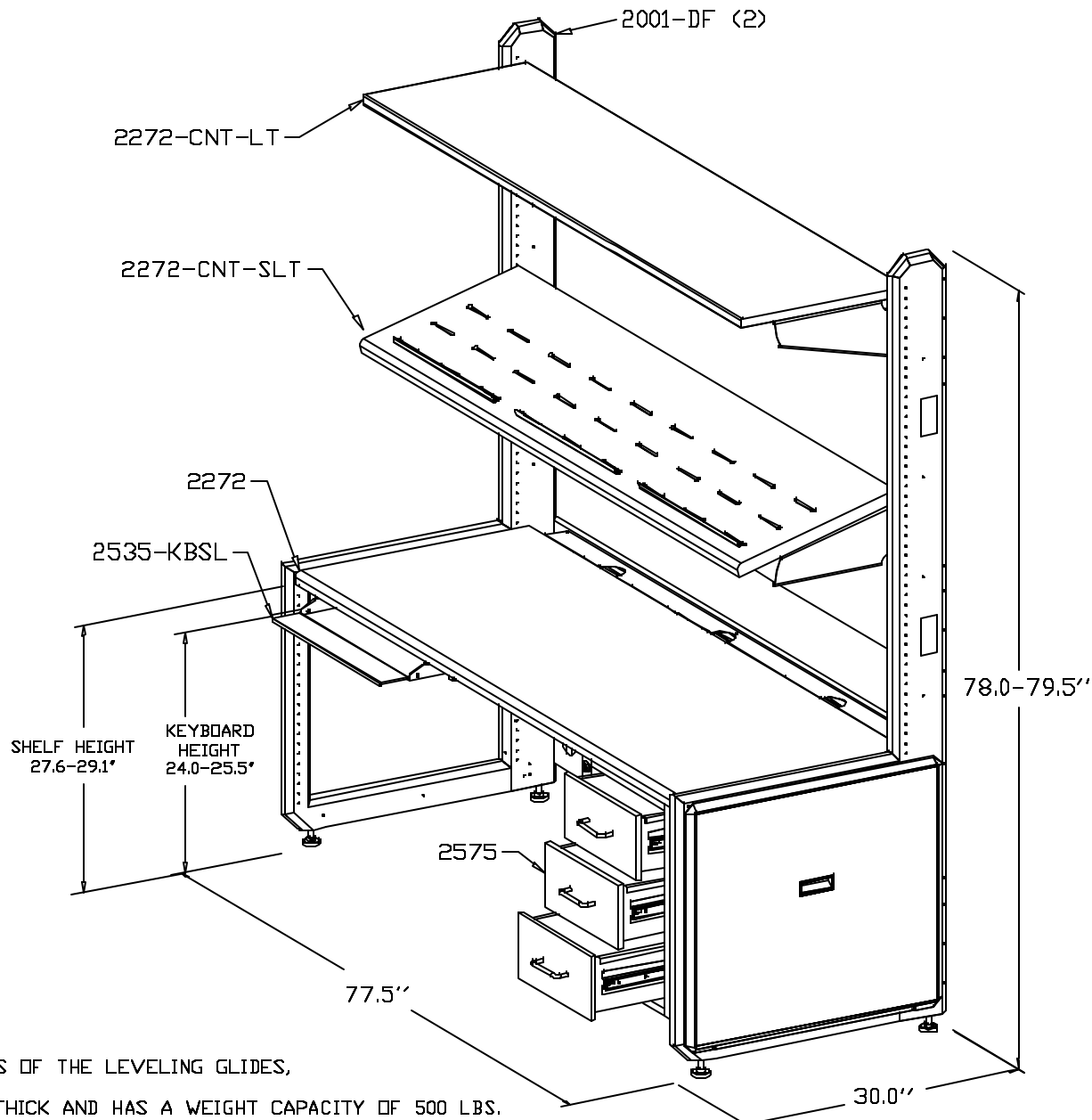


FOR REFERENCE ONLY

REV	DESCRIPTION
-----	-------------



NOTE:

- 1) THE HEIGHTS SHOWN MAY VARY DEPENDING ON THE HEIGHTS OF THE LEVELING GLIDES, WHICH CAN VARY IN HEIGHT FROM 1" TO 2.5".
- 2) THE 2272 SHELF IS 71.75" WIDE x 25.50" DEEP x 1.25" THICK AND HAS A WEIGHT CAPACITY OF 500 LBS.
- 3) THE 2272-CNT-SLT IS 71.875" WIDE x 18.00" DEEP x 1.25" THICK AND HAS A WEIGHT CAPACITY OF 400 LBS.
- 4) THE 2272-CNT-LT IS 71.875" WIDE x 18.00" DEEP x 1.00" THICK AND HAS A WEIGHT CAPACITY OF 200 LBS.
- 5) THE HEIGHT OF THE CABINET WITH OPTIONAL CASTERS IS 80.8".

This document contains Great Lakes Case & Cabinet/Proprietary information and may not be reproduced, disclosed, or utilized in whole or in part without its prior written authorization. Unpublished - All rights reserved under copyright.	DIMENSIONS IN INCHES DO NOT SCALE TOLERANCES ON DIMENSIONS UNLESS OTHERWISE SPECIFIED DECIMAL .00X ± .010 .00X ± .015 .X ± .020 ANGULAR ± 1/2° FILE LOCATION: E:\1-DWG\1-ARCH\CONF\GL201\WEB72\9K-1.dwg	DESIGN CHG#	DRAWN BY: MIKE	REV. DATE: 5-30-00	Great Lakes Case & Cabinet Co. P.O. Box 551 / Edinboro, PA 16812 PHONE: 814-224-7433 FAX: 814-224-3207 EMAIL: glc@glcc.com
		QTY PER UNIT:	ISSUE DATE: 3-15-00	PART DESCRIPTION: ADVANTAGE 2DOOR-OPEN ARCHITECTURE WORK STATION	
		SCALE: N.T.S.	CUSTOMER:		REV. DRAWING NO. 1 GL2072-C01
		MATERIAL:	SHEET: 1 OF 6		