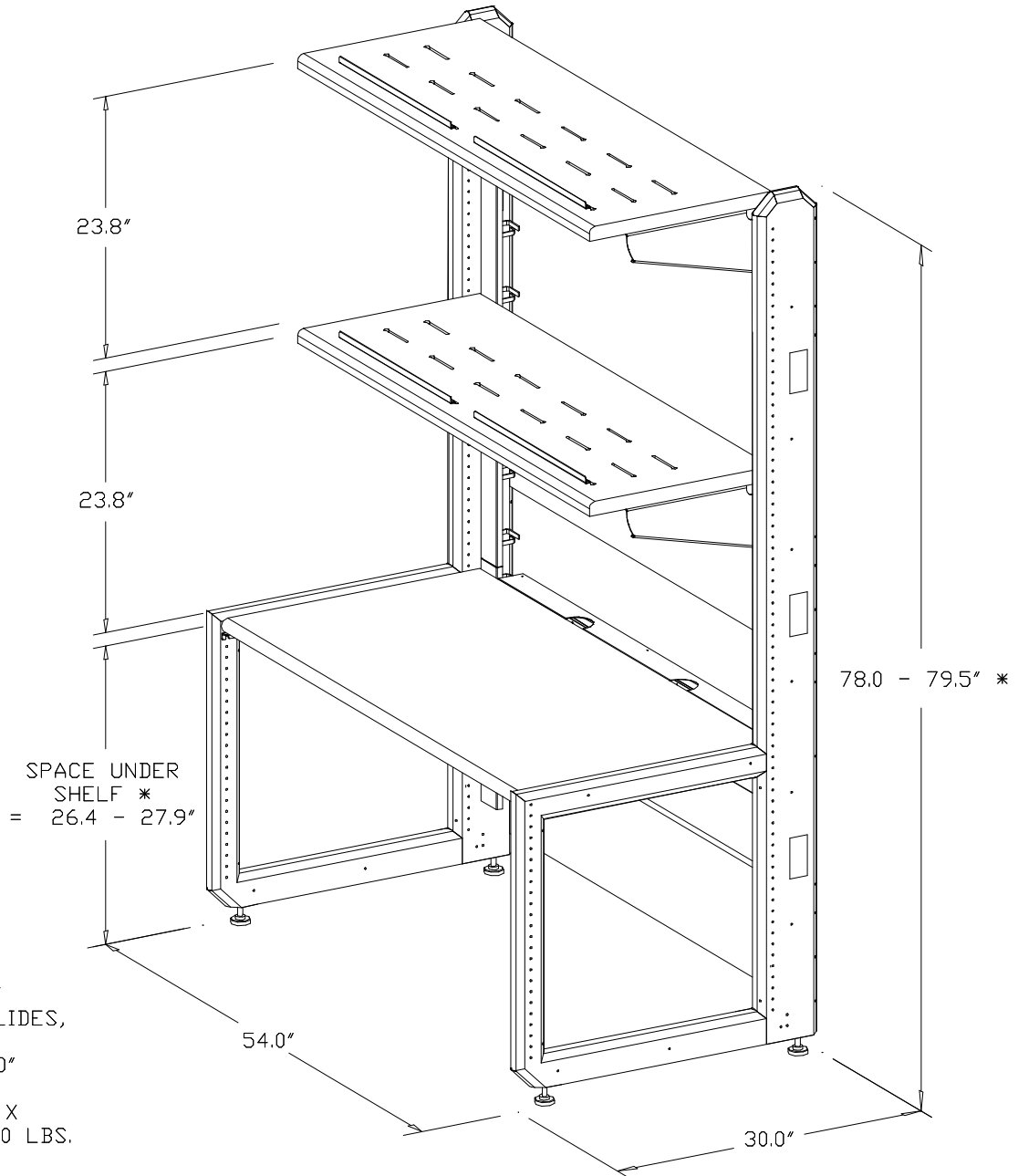


FOR REFERENCE ONLY

REV DESCRIPTION



NOTES:

- 1) THE HEIGHT SHOWN WITH AN (*) WILL VARY DEPENDING ON THE HEIGHT OF THE LEVELING GLIDES, WHICH CAN VARY IN HEIGHT FROM 1" TO 2.5".
- 2) THE 2250-LA SHELF IS 49.75" WIDE X 25.50" DEEP AND HAS A WEIGHT CAPACITY OF 300 LBS.
- 3) THE 2250-CNT-SLT SHELF IS 49.875" WIDE X 18.00" DEEP AND HAS A WEIGHT CAPACITY OF 500 LBS.

This document contains Great Lakes Case & Cabinet/
Proprietary information
and may not be reproduced, disclosed, or utilized in
whole or in part without its prior written authorization.
Unpublished - All rights reserved under copyright

DIMENSIONS IN INCHES DO NOT SCALE
TOLERANCES ON DIMENSIONS UNLESS OTHERWISE SPECIFIED
DECIMAL .XXX ± .010 .XX ± .015 .X ± .020 ANGULAR ± 1/2"
FILE LOCATION: E:\1-DWG\1\CONFIG\C-0403-0A\SK-1.dwg

DESIGN CHG#	DRAWN BY: JAYE
QTY PER UNIT:	ISSUE DATE: 4-13-99
SCALE: N.T.S.	CUSTOMER#
MATERIAL:	SHEET: 1 OF 2

REV. DATE:	PART DESCRIPTION:
	ADVANTAGE 2000+ OPEN FRAME WORK STATION



Great Lakes Case & Cabinet Co.
P.O. Box 551 / Edinboro, PA 16412
PHONE(814)734-7303 FAX(814)734-3907 EMAILglcc@greatlakes.com

REV.	DRAWING NO.
0	C-0403-0A