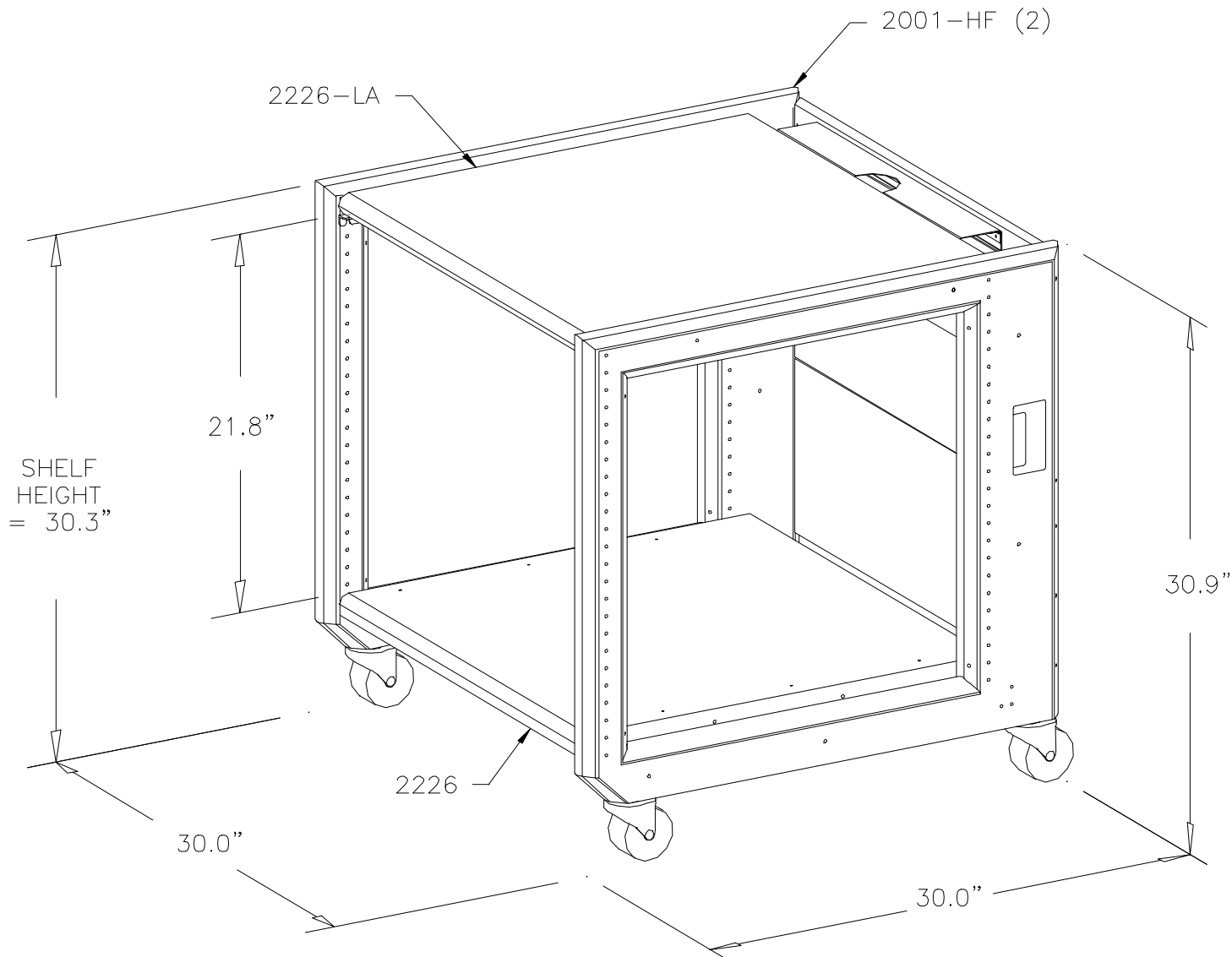


FOR REFERENCE ONLY

REV	DESCRIPTION
-----	-------------



This document contains Great Lakes Case & Cabinet/
Proprietary information
and may not be reproduced, disclosed, or utilized in
whole or in part without its prior written authorization.
Unpublished - All rights reserved under copyright

DIMENSIONS IN INCHES DO NOT SCALE
TOLERANCES ON DIMENSIONS UNLESS OTHERWISE SPECIFIED
DECIMAL .XXX ± .010 XX ± 015 .X ± .020 ANGULAR ± 1/2'
FILE LOCATION E:\1-DWGS\1\CONFIG\C-0237-OA\SK-1.dwg

DESIGN CHG#	DRAWN BY: JAYE	REV. DATE:
QTY PER UNIT:	ISSUE DATE: 9-16-98	PART DESCRIPTION
SCALE: N.T.S.	CUSTOMER#	ADVANTAGE 2000+
MATERIAL:	SHEET: 1 OF 2	OPEN ARCHITECTURE
		PRINTER CART



Great Lakes Case & Cabinet Co.
P.O. Box 551 / Edinboro, PA 16412
PHONE (814)734-7303 FAX (814)734-5807 EMAIL gcc@greatlakes.com
REV. 0 DRAWING NO. C-0237-OA