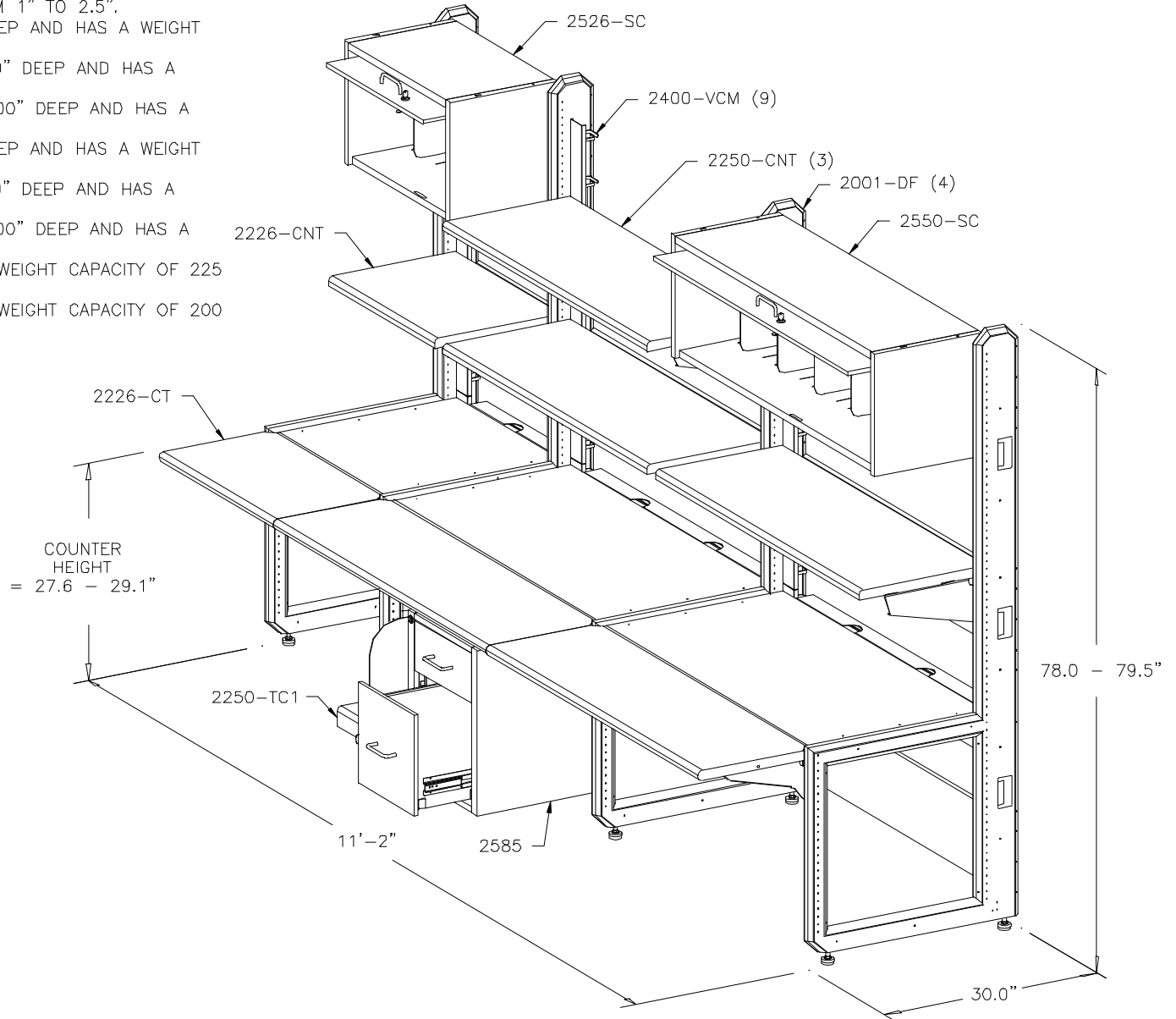


FOR REFERENCE ONLY

REV DESCRIPTION

NOTES:

- 1) THE HEIGHTS SHOWN WILL VARY DEPENDING ON THE HEIGHT OF THE LEVELING GLIDES, WHICH CAN VARY IN HEIGHT FROM 1" TO 2.5".
- 2) THE 2226 SHELF IS 25.75" WIDE X 25.50" DEEP AND HAS A WEIGHT CAPACITY OF 600 LBS.
- 3) THE 2226-CNT SHELF IS 25.75" WIDE X 18.00" DEEP AND HAS A WEIGHT CAPACITY OF 600 LBS.
- 4) THE 2226-CT COUNTER IS 28.00" WIDE X 16.00" DEEP AND HAS A WEIGHT CAPACITY OF 400 LBS.
- 5) THE 2250 SHELF IS 49.75" WIDE X 25.50" DEEP AND HAS A WEIGHT CAPACITY OF 600 LBS.
- 6) THE 2250-CNT SHELF IS 49.75" WIDE X 18.00" DEEP AND HAS A WEIGHT CAPACITY OF 500 LBS.
- 7) THE 2250-CT COUNTER IS 52.00" WIDE X 16.00" DEEP AND HAS A WEIGHT CAPACITY OF 300 LBS.
- 8) THE 2526-SC STORAGE COMPARTMENT HAS A WEIGHT CAPACITY OF 225 LBS.
- 9) THE 2550-SC STORAGE COMPARTMENT HAS A WEIGHT CAPACITY OF 200 LBS.



This document contains Great Lakes Case & Cabinet/
Proprietary information
and may not be reproduced, disclosed, or utilized in
whole or in part without its prior written authorization.
Unpublished - All rights reserved under copyright

DIMENSIONS IN INCHES DO NOT SCALE
TOLERANCES ON DIMENSIONS UNLESS OTHERWISE SPECIFIED
DECIMAL .XXX ± .010 .XX ± .015 .X ± .020 ANGULAR ± 1/2"
FILE LOCATION: E:\1-DWG\1\CONFIG\C-0231-OA\SK-1.dwg

DESIGN CHG#	DRAWN BY: JAYE	REV. DATE:
QTY PER UNIT:	ISSUE DATE: 9-8-98	PART DESCRIPTION:
SCALE: N.T.S.	CUSTOMER#	ADVANTAGE 2000+
MATERIAL:	SHEET: 1 OF 2	OPEN ARCHITECTURE WORK STATION



Great Lakes Case & Cabinet Co.
P.O. Box 551 / Edinboro, PA 16412
PHONE: (814) 734-7303 FAX: (814) 734-3907 EMAIL: gccc@greatlakescabinets.com

REV. 0	DRAWING NO. C-0231-OA
--------	-----------------------