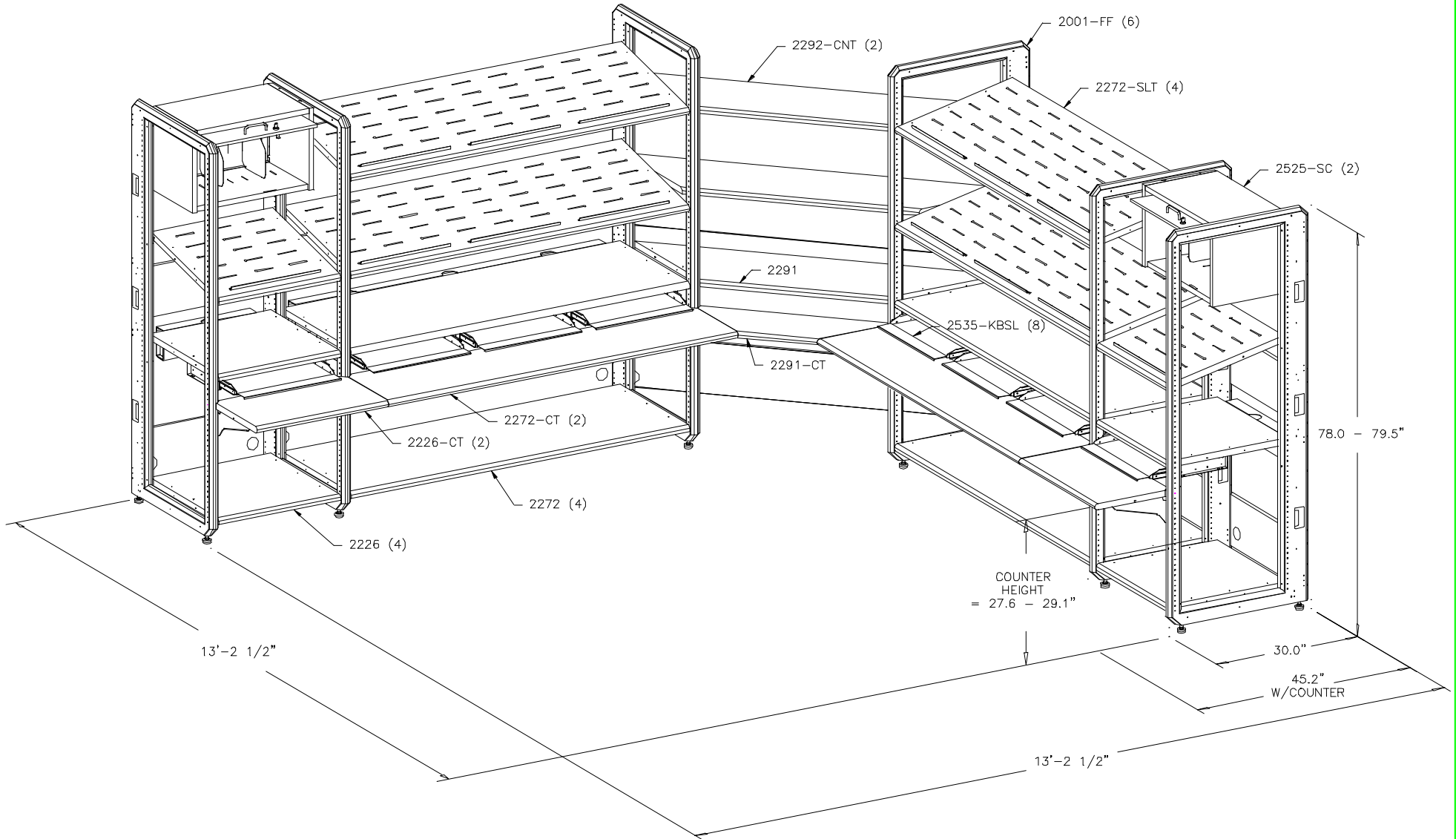


# FOR REFERENCE ONLY

REV	DESCRIPTION
-----	-------------



**NOTES:**

- 1) THE HEIGHTS SHOWN WILL VARY DEPENDING ON THE HEIGHT OF THE LEVELING GLIDES, WHICH CAN VARY IN HEIGHT FROM 1" TO 2.5".
- 2) THE 2272 AND 2272-SLT SHELVES ARE 71.75" WIDE X 25.50" DEEP AND HAVE A WEIGHT CAPACITY OF 500 LBS.
- 3) THE 2226 AND 2226-SLT SHELVES ARE 25.75" WIDE X 25.50" DEEP AND HAVE A WEIGHT CAPACITY OF 600 LBS.
- 4) THE 2291 SHELF IS 17.25" DEEP AND HAS A WEIGHT CAPACITY OF 350 LBS.
- 5) THE 2291-CNT SHELF IS 18.00" DEEP AND HAS A WEIGHT CAPACITY OF 325 LBS.
- 6) THE 2272-CT COUNTER IS 74.00" WIDE X 16.00" DEEP AND HAS A WEIGHT CAPACITY OF 200 LBS.
- 7) THE 2226-CT COUNTER IS 28.00" WIDE X 16.00" DEEP AND HAS A WEIGHT CAPACITY OF 400 LBS.
- 8) THE 2291-CT COUNTER IS 12.00" DEEP AND HAS A WEIGHT CAPACITY OF 200 LBS.

This document contains Great Lakes Case & Cabinet/ Proprietary information and may not be reproduced, disclosed, or utilized in whole or in part without its prior written authorization. Unpublished - All rights reserved under copyright

DIMENSIONS IN INCHES DO NOT SCALE  
 TOLERANCES ON DIMENSIONS UNLESS OTHERWISE SPECIFIED  
 DECIMAL .xxx ± .010 .xx ± .015 .x ± .020 ANGULAR ± 1/2"  
 FILE LOCATION: E:\1-DWGS\1\CONFIG\C-0212-0A\SK-1.dwg

DESIGN CHG#	DRAWN BY: JAYE	REV. DATE:
QTY PER UNIT:	ISSUE DATE: 8-19-98	PART DESCRIPTION:
SCALE: N.T.S.	CUSTOMER#	ADVANTAGE 2000+ OPEN ARCHITECTURE WORK STATION
MATERIAL:	SHEET: 1 OF 2	



Great Lakes Case & Cabinet Co.  
 P.O. Box 551 / Edinboro, PA 16412  
 PHONE: (814) 734-7303 FAX: (814) 734-3007 EMAIL: gco@greatlakes.com

REV. 0	DRAWING NO. C-0212-0A
--------	-----------------------