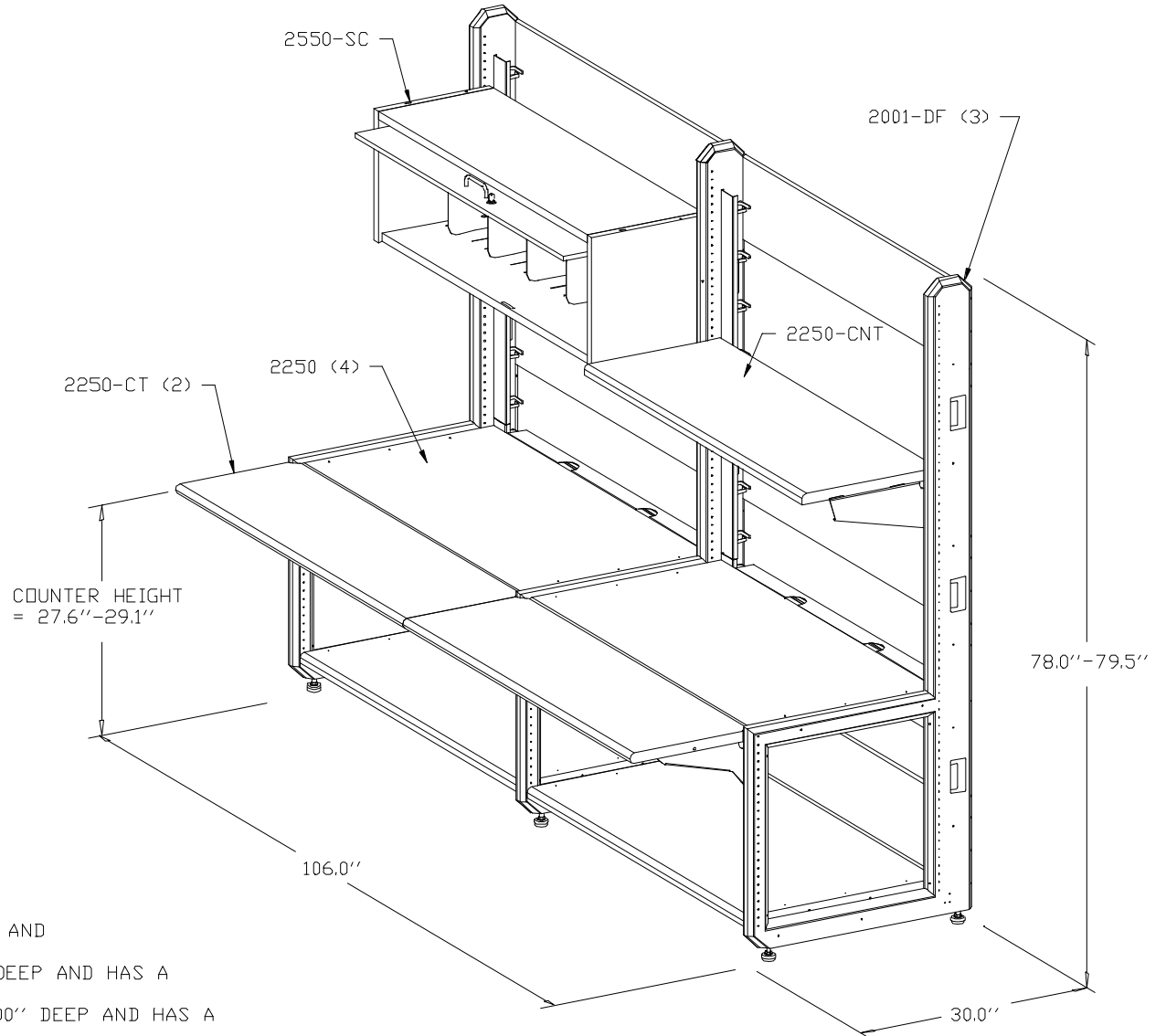


# FOR REFERENCE ONLY

REV DESCRIPTION



**NOTES:**

- 1) THE 2250 SHELF IS 49.75" WIDE x 25.50" DEEP AND HAS A WEIGHT CAPACITY OF 600 LBS.
- 2) THE 2250-CNT SHELF IS 49.75" WIDE x 18.00" DEEP AND HAS A WEIGHT CAPACITY OF 500 LBS.
- 3) THE 2250-CT COUNTERTOP IS 52.00" WIDE x 16.00" DEEP AND HAS A WEIGHT CAPACITY OF 300 LBS.
- 4) THE 2550-SC IS 50.00" WIDE x 15.25" DEEP AND HAS A WEIGHT CAPACITY OF 200 LBS.

This document contains Great Lakes Case & Cabinet/  
 Proprietary information  
 and may not be reproduced, disclosed, or utilized in  
 whole or in part without its prior written authorization.  
 Unpublished - All rights reserved under copyright

DIMENSIONS IN INCHES DO NOT SCALE  
 TOLERANCES ON DIMENSIONS UNLESS OTHERWISE SPECIFIED  
 DECIMAL .XXX ± .010 .XX ± .015 .X ± .020 ANGULAR ± 1/2"  
 FILE LOCATION: E:\1-DWG\1\CONFIG\C-0211-OA\SK-1

DESIGN CHG#  
 QTY PER UNIT:  
 SCALE: N.T.S.  
 MATERIAL:

DRAWN BY: CURT  
 ISSUE DATE: 8-19-98  
 CUSTOMER#  
 SHEET: 1-OF-2

REV. DATE:  
 PART DESCRIPTION:  
 ADVANTAGE 2000+  
 OPEN ARCHITECTURE  
 WORK STATION



Great Lakes Case & Cabinet Co.  
 P.O. Box 551 / Edinboro, PA 16412  
 PHONE: (814) 734-7303 FAX: (814) 734-3807 EMAIL: gpc@greatlakes.com

REV. 0 DRAWING NO. C-0211-OA