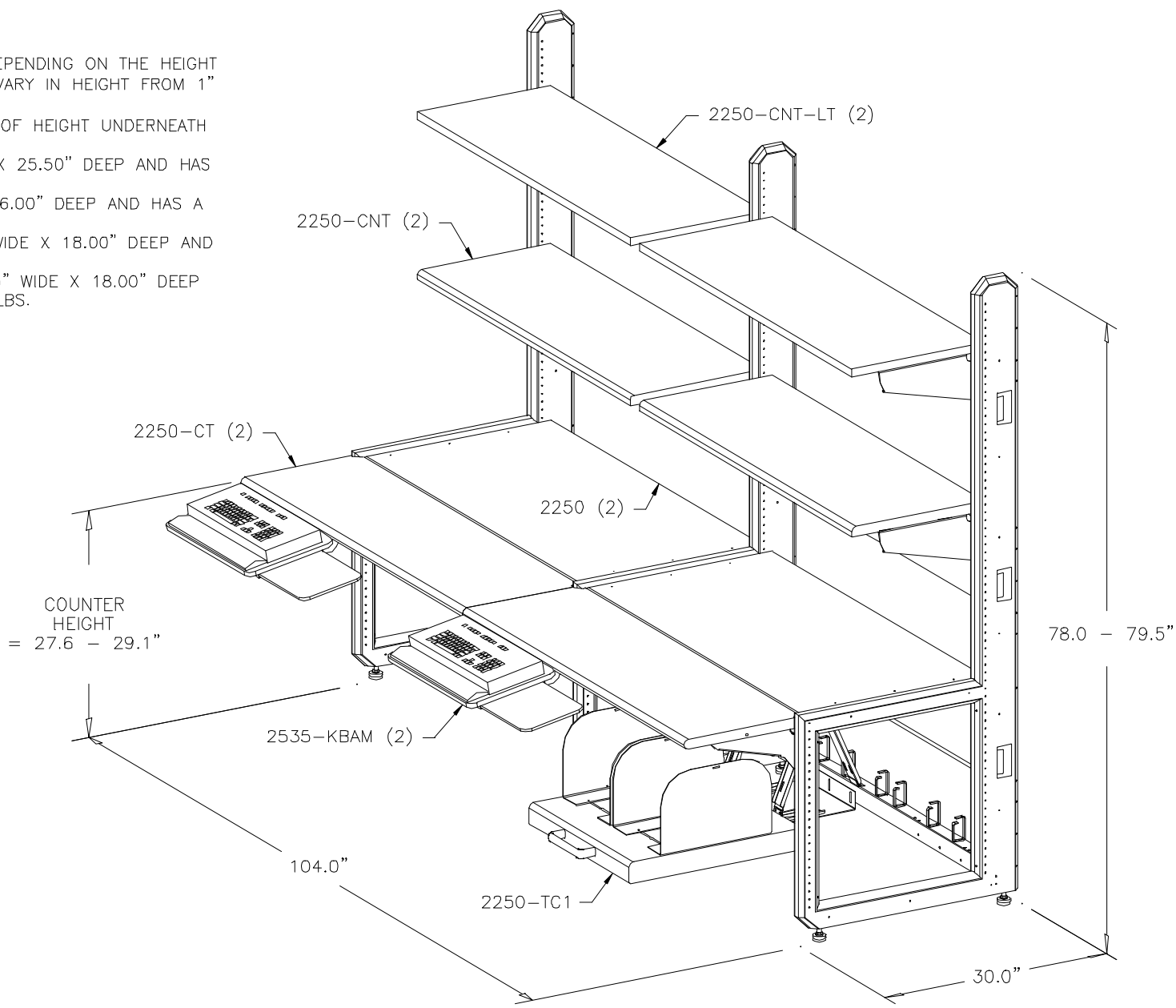


FOR REFERENCE ONLY

REV	DESCRIPTION
-----	-------------

NOTES:


- 1) THE HEIGHTS SHOWN WILL VARY DEPENDING ON THE HEIGHT OF THE LEVELING GLIDES, WHICH CAN VARY IN HEIGHT FROM 1" TO 2.5".
- 2) THE 2535-KBAM TAKES UP 8.00" OF HEIGHT UNDERNEATH THE COUNTER.
- 3) THE 2250 SHELF IS 49.75" WIDE X 25.50" DEEP AND HAS A WEIGHT CAPACITY OF 600 LBS.
- 4) THE 2250-CT IS 52.00" WIDE X 16.00" DEEP AND HAS A WEIGHT CAPACITY OF 300 LBS.
- 5) THE 2250-CNT SHELF IS 49.75" WIDE X 18.00" DEEP AND HAS A WEIGHT CAPACITY OF 500 LBS.
- 6) THE 2250-CNT-LT SHELF IS 49.75" WIDE X 18.00" DEEP AND HAS A WEIGHT CAPACITY OF 300 LBS.



This document contains Great Lakes Case & Cabinet/ Proprietary information and may not be reproduced, disclosed, or utilized in whole or in part without its prior written authorization. Unpublished - All rights reserved under copyright

DIMENSIONS IN INCHES	DO NOT SCALE
TOLERANCES ON DIMENSIONS UNLESS OTHERWISE SPECIFIED	
DECIMAL .XXX ± .010 .XX ± .015 .X ± .020 ANGULAR ± 1/2°	
FILE LOCATION: E:\1-DWGS\1\CONFIG\C-0207-OA\SK-2.dwg	

DESIGN CHG#	DRAWN BY: JAYE	REV. DATE:
QTY PER UNIT:	ISSUE DATE: 8-14-98	PART DESCRIPTION:
SCALE: N.T.S.	CUSTOMER#	ADVANTAGE 2000+ OPEN ARCHITECTURE WORK STATION
MATERIAL:	SHEET: 1 OF 2	



Great Lakes Case & Cabinet Co.
P.O. Box 551 / Edinboro, PA 16412
PHONE: (814) 734-7303 FAX: (814) 734-3907 EMAIL: gccc@greatlakescabinets.com

REV. 0	DRAWING NO. C-0207-OA
--------	-----------------------