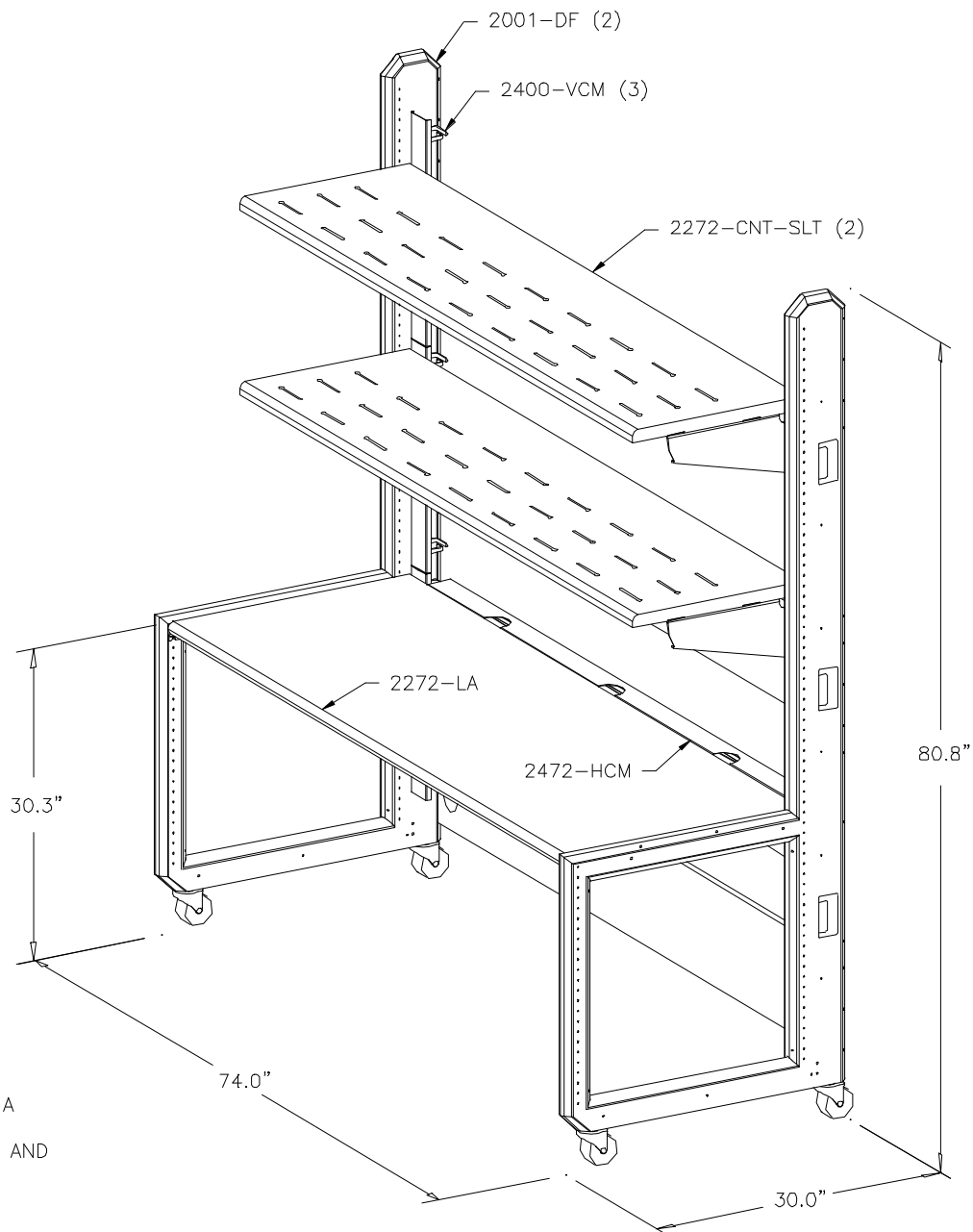


# FOR REFERENCE ONLY

REV	DESCRIPTION
-----	-------------



**NOTES:**

- 1) THE 2272-LA SHELF IS 71.75" WIDE X 25.50" DEEP AND HAS A WEIGHT CAPACITY OF 200 LBS.
- 2) THE 2272-CNT-SLT SHELVES ARE 71.75" WIDE X 18.00" DEEP AND HAVE A WEIGHT CAPACITY OF 400 LBS.

This document contains Great Lakes Case & Cabinet/ Proprietary information and may not be reproduced, disclosed, or utilized in whole or in part without its prior written authorization. Unpublished - All rights reserved under copyright

DIMENSIONS IN INCHES DO NOT SCALE  
 TOLERANCES ON DIMENSIONS UNLESS OTHERWISE SPECIFIED  
 DECIMAL .XXX ± .010 .XX ± .015 .X ± .020 ANGULAR ± 1/2'  
 FILE LOCATION: E:\1-DWGS\1\CONFIG\C-0206-0A\SK-1.dwg

DESIGN CHG#	DRAWN BY: JAYE	REV. DATE:
QTY PER UNIT:	ISSUE DATE: 8-14-98	PART DESCRIPTION:
SCALE: N.T.S.	CUSTOMER#	ADVANTAGE 2000+ OPEN ARCHITECTURE WORK STATION
MATERIAL:	SHEET: 1 OF 2	



Great Lakes Case & Cabinet Co.  
 P.O. Box 551 / Edinboro, PA 16412  
 PHONE: (814) 734-7303 FAX: (814) 734-3907 EMAIL: gccc@greatlakes.com  
 REV. 0 DRAWING NO. C-0206-0A