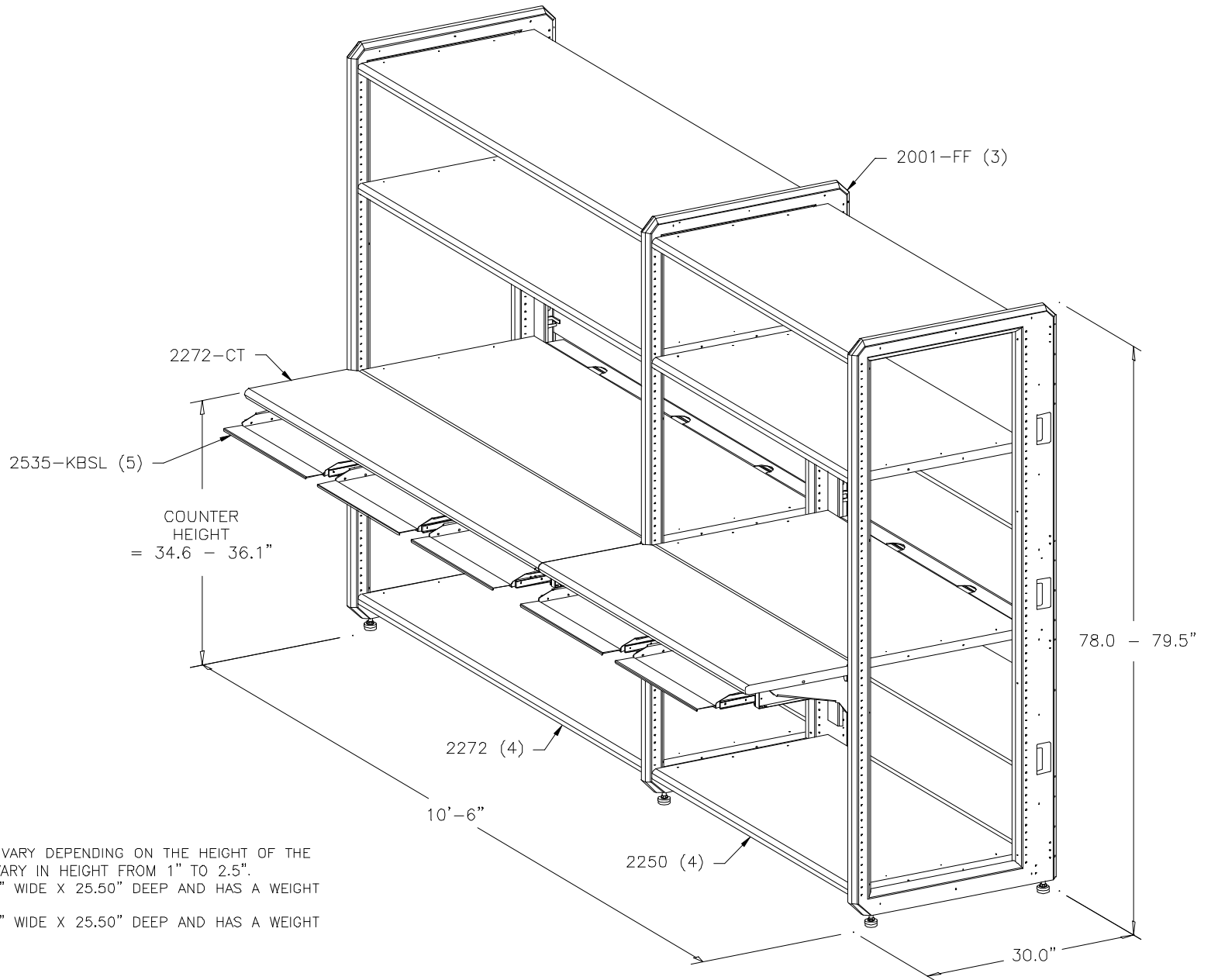


FOR REFERENCE ONLY

REV DESCRIPTION



NOTES:

- 1) THE HEIGHTS SHOWN WILL VARY DEPENDING ON THE HEIGHT OF THE LEVELING GLIDES, WHICH CAN VARY IN HEIGHT FROM 1" TO 2.5".
- 2) THE 2250 SHELF IS 49.75" WIDE X 25.50" DEEP AND HAS A WEIGHT CAPACITY OF 600 LBS.
- 3) THE 2272 SHELF IS 71.75" WIDE X 25.50" DEEP AND HAS A WEIGHT CAPACITY OF 500 LBS.

This document contains Great Lakes Case & Cabinet/
Proprietary information
and may not be reproduced, disclosed, or utilized in
whole or in part without its prior written authorization.
Unpublished - All rights reserved under copyright

DIMENSIONS IN INCHES DO NOT SCALE
TOLERANCES ON DIMENSIONS UNLESS OTHERWISE SPECIFIED
DECIMAL XXX ± .010 XX ± .015 .X ± .020 ANGULAR ± 1/2'
FILE LOCATION: E:\1-DWGS\1\CONFIG\C-0204-OA\SK-1.dwg

| | | |
|---------------|---------------------|--|
| DESIGN CHG# | DRAWN BY: JAYE | REV. DATE: |
| QTY PER UNIT: | ISSUE DATE: 8-12-98 | PART DESCRIPTION |
| SCALE: N.T.S. | CUSTOMER# | ADVANTAGE 2000+ OPEN ARCHITECTURE WORK STATION |
| MATERIAL: | SHEET: 1 OF 3 | |



Great Lakes Case & Cabinet Co.
P.O. Box 551 / Edinboro, PA 16412
PHONE: (814) 734-7300 FAX: (814) 734-3907 EMAIL: gccc@greatlakes.com

| | |
|--------|----------------------|
| REV. 0 | DRAWING NO C-0204-OA |
|--------|----------------------|