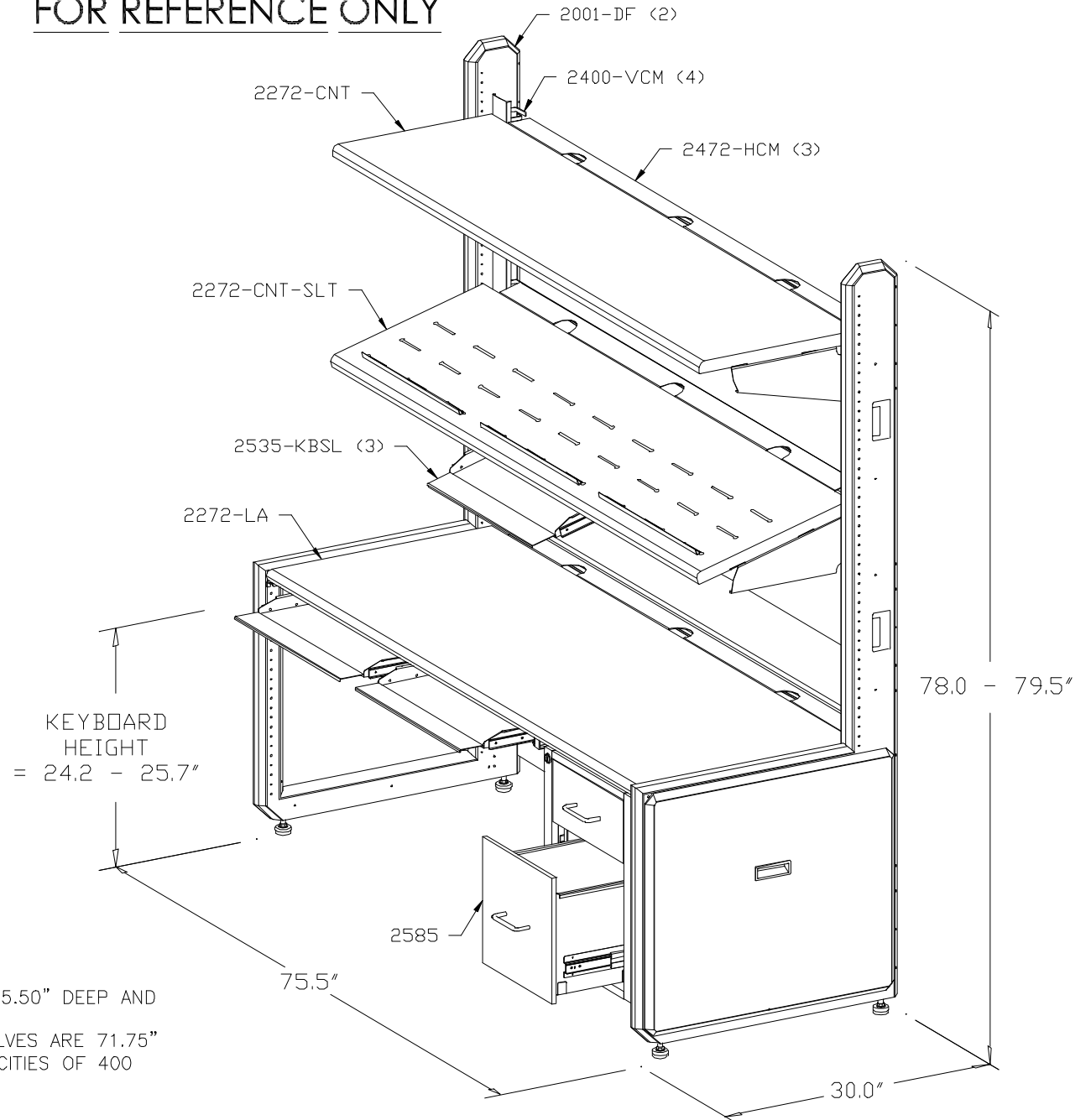


FOR REFERENCE ONLY

| REV | DESCRIPTION |
|-----|-------------|
|-----|-------------|



KEYBOARD
HEIGHT
= 24.2 - 25.7"

- NOTES:
 1) THE 2272-LA SHELF IS 71.75" WIDE X 25.50" DEEP AND HAS A WEIGHT CAPACITY OF 200 LBS.
 2) THE 2272-CNT AND 2272-CNT-SLT SHELVES ARE 71.75" WIDE X 18.00" DEEP AND HAVE WEIGHT CAPACITIES OF 400 LBS.

This document contains Great Lakes Case & Cabinet/ Proprietary information and may not be reproduced, disclosed, or utilized in whole or in part without its prior written authorization. Unpublished - All rights reserved under copyright.

| | |
|---|--------------|
| DIMENSIONS IN INCHES | DO NOT SCALE |
| TOLERANCES ON DIMENSIONS UNLESS OTHERWISE SPECIFIED | |
| DECIMAL .XXX ± .010 XX ± 015 .X ± .020 ANGULAR ± 1/2" | |
| FILE LOCATION: E:\1-DWGS\1\CONFIG\C-0202-OA\SK-1.dwg | |

| | | |
|---------------|---------------------|-----------------------------------|
| DESIGN CHG# | DRAWN BY: JAYE | REV. DATE: |
| QTY PER UNIT: | ISSUE DATE: 8-11-98 | PART DESCRIPTION |
| SCALE: N.T.S. | CUSTOMER# | ADVANTAGE 2000+ |
| MATERIAL: | SHEET: 1 OF 3 | OPEN ARCHITECTURE WORK STATION |

| | |
|------|------------|
| REV. | DRAWING NO |
| 0 | C-0202-OA |



Great Lakes Case & Cabinet Co.
 P.O. Box 551 / Edinboro, PA 16412
 PHONE: (814) 734-7303 FAX: (814) 734-3907 EMAIL: glc@greatcabinets.com