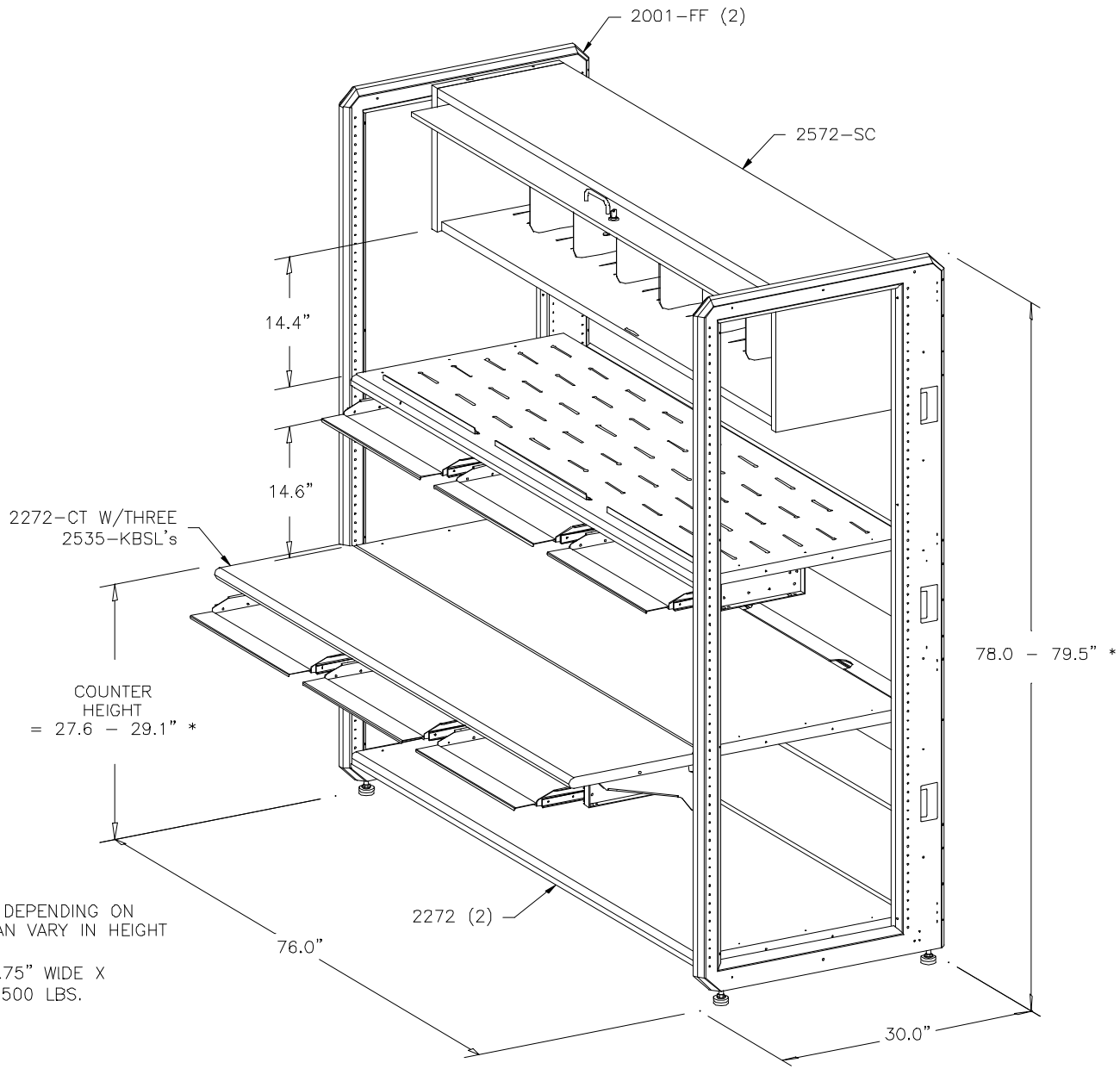


FOR REFERENCE ONLY

REV	DESCRIPTION
1	ADDED THREE KBSL'S



NOTES:
 1) THE HEIGHTS SHOWN WITH AN * WILL VARY DEPENDING ON THE HEIGHT OF THE LEVELING GLIDES, WHICH CAN VARY IN HEIGHT FROM 1" TO 2.5".
 2) THE 2272 AND 2272-SLT SHELVES ARE 71.75" WIDE X 25.50" DEEP AND HAVE A WEIGHT CAPACITY OF 500 LBS.

This document contains Great Lakes Case & Cabinet/ Proprietary information and may not be reproduced, disclosed, or utilized in whole or in part without its prior written authorization. Unpublished - All rights reserved under copyright

DIMENSIONS IN INCHES DO NOT SCALE
 TOLERANCES ON DIMENSIONS UNLESS OTHERWISE SPECIFIED
 DECIMAL .XXX ± .010 .XX ± .015 .X ± .020 ANGULAR ± 1/2"
 FILE LOCATION: E:\1-DWGS\1\CONFIG\C-0195-0A\REV1\SK-1.dwg

DESIGN CHG#	DRAWN BY: JAYE	REV. DATE: 7-30-98
QTY PER UNIT:	ISSUE DATE: 7-28-98	PART DESCRIPTION:
SCALE: N.T.S.	CUSTOMER#	ADVANTAGE 2000+ OPEN ARCHITECTURE WORK STATION
MATERIAL:	SHEET: 1 OF 2	

Great Lakes Case & Cabinet Co.
 P.O. Box 551 / Edinboro, PA 16412
 PHONE: (814) 734-7303 FAX: (814) 734-3907 EMAIL: gccc@greatlakes.com



REV	DRAWING NO
1	C-0195-0A