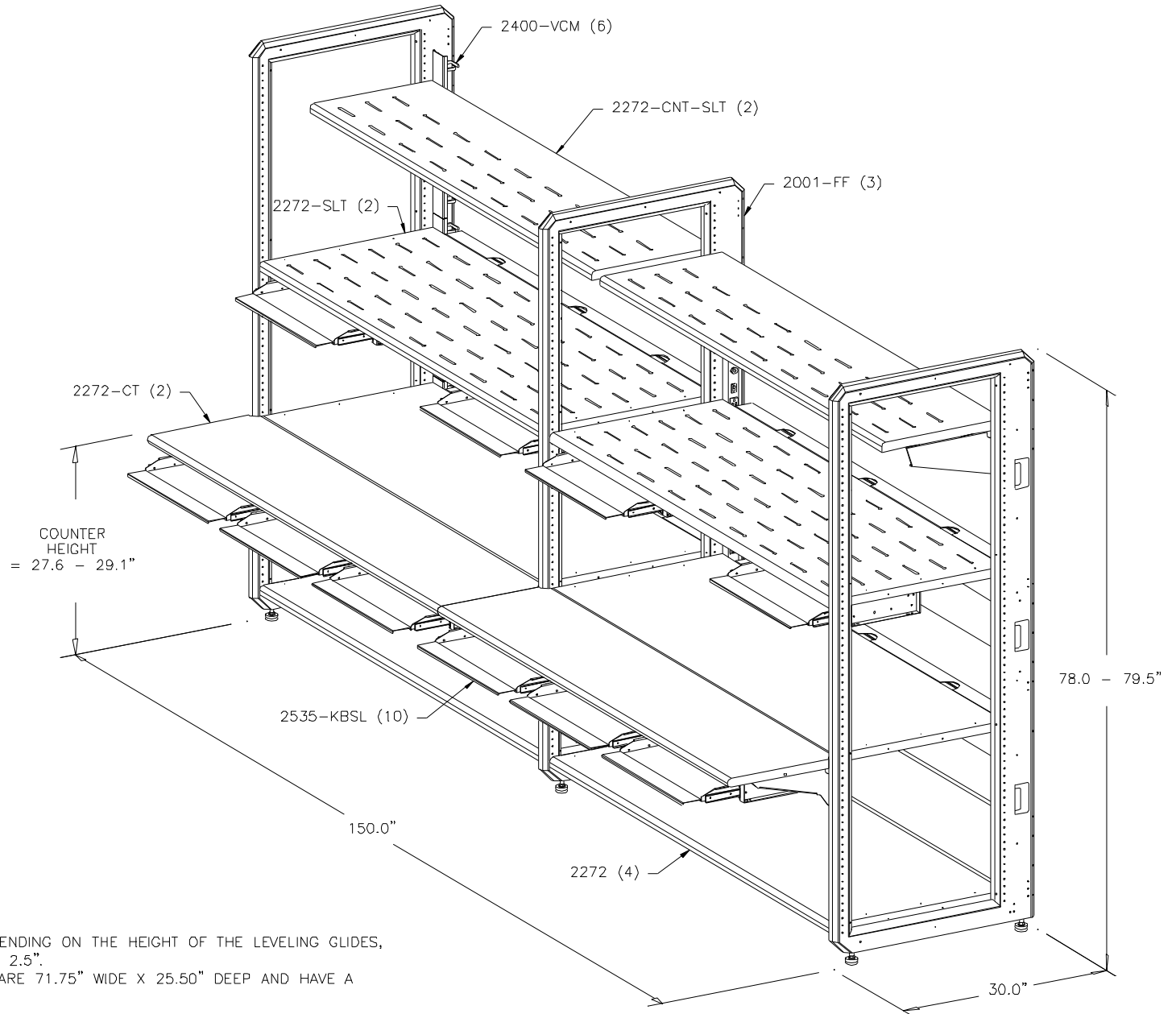


FOR REFERENCE ONLY

REV DESCRIPTION



NOTES:

- 1) THE HEIGHTS SHOWN WILL VARY DEPENDING ON THE HEIGHT OF THE LEVELING GLIDES, WHICH CAN VARY IN HEIGHT FROM 1" TO 2.5".
- 2) THE 2272 AND 2272-SLT SHELVES ARE 71.75" WIDE X 25.50" DEEP AND HAVE A WEIGHT CAPACITY OF 500 LBS.

This document contains Great Lakes Case & Cabinet/
Proprietary information
and may not be reproduced, disclosed, or utilized in
whole or in part without its prior written authorization.
Unpublished - All rights reserved under copyright

DIMENSIONS IN INCHES DO NOT SCALE
TOLERANCES ON DIMENSIONS UNLESS OTHERWISE SPECIFIED
DECIMAL .XXX ± .010 .XX ± .015 .X ± .020 ANGULAR ± 1/2"
FILE LOCATION: E:\1-DWGS\1\CONFIG\C-0186-OA\SK-1.dwg

DESIGN CHG#	DRAWN BY: JAYE	REV. DATE:
QTY PER UNIT:	ISSUE DATE: 7-21-98	PART DESCRIPTION:
SCALE: N.T.S.	CUSTOMER#	ADVANTAGE 2000+ OPEN ARCHITECTURE WORK STATION
MATERIAL:	SHEET: 1 OF 3	



Great Lakes Case & Cabinet Co.
P.O. Box 551 / Edinboro, PA 16412
PHONE: (814) 754-7303 FAX: (814) 754-3907 EMAIL: glc@greatcabinets.com
REV. 0 DRAWING NO. C-0186-OA